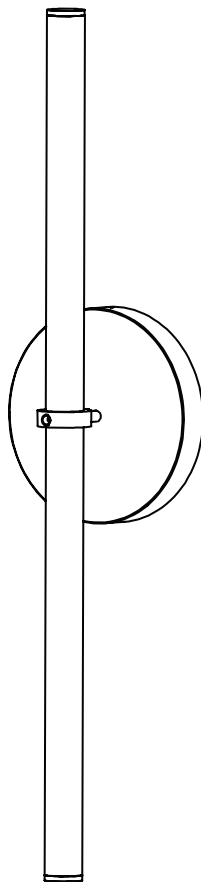


1. Certified electrician is required for electrical installation.
2. Do not, under any circumstance, hold light object by the acrylic tube.
3. LED driver included, installation of LED driver requires certified electrician.
4. White cloth gloves included for installation, please use them.
5. The light source contained in this light object shall only be replaced by the manufacturer or his service agent or similar qualified person.  
Contact manufacturer for service.
6. Please read installation guide thoroughly before installation.
7. Vertical hanging only.



## IMPORTANT

Do not, under any circumstance, hold, use as support, place heavy weight on, wipe clean, lift, rotate or move in any direction the acrylic tube or tubes in this light object. Doing so will waive all product warranties.

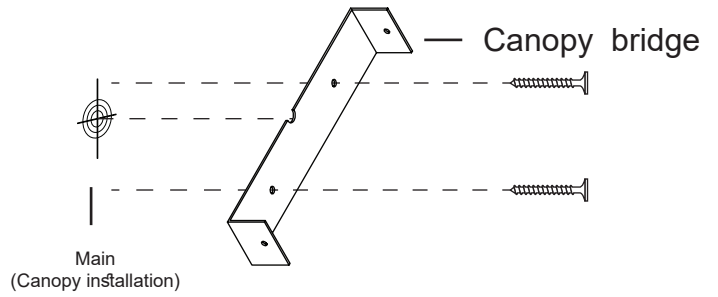
Please provide email confirmation that your order and its related components have been received in their entirety and in good condition.

Failure to do so within 48 hours of delivery will waive all product warranties.

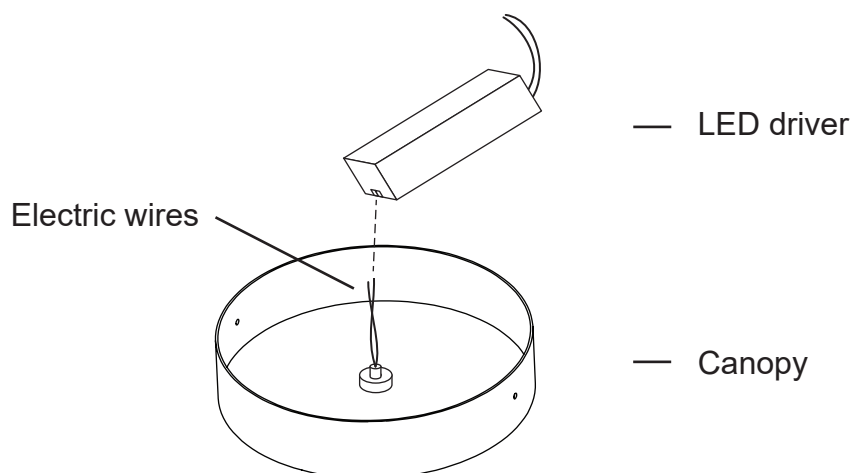
PROVIDED SUPPLIES

1. Light Object 014
2. LED driver
3. Canopy assembly parts
4. White cloth gloves

**1** Firmly connect the canopy bridge to wall with screws and plugs (not included).



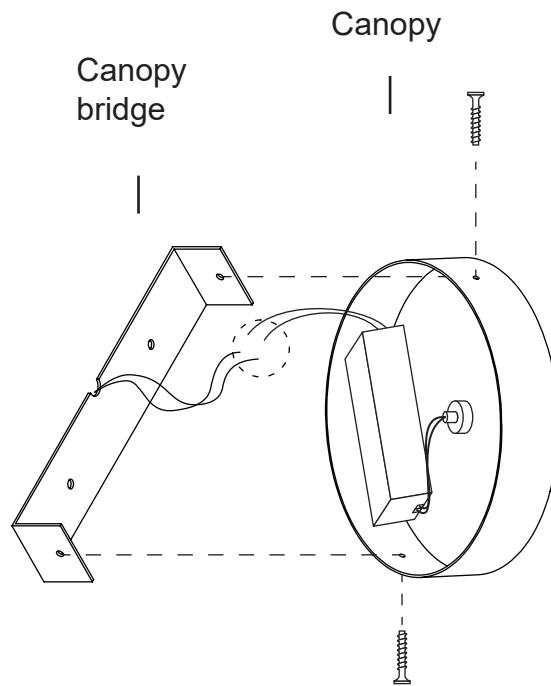
**2** Shut down associated electrical breaker and wire LED driver to electrica wires in the center of the canopy.



- 3** Connect electrical wires from LED driver to main electrical source and secure canopy to canopy bridge with screws.

**IMPORTANT**

Do not hold light object by the acrylic tubes when installing as this may permanently damage the light object.



- 4** Gently remove all light object wrapping.