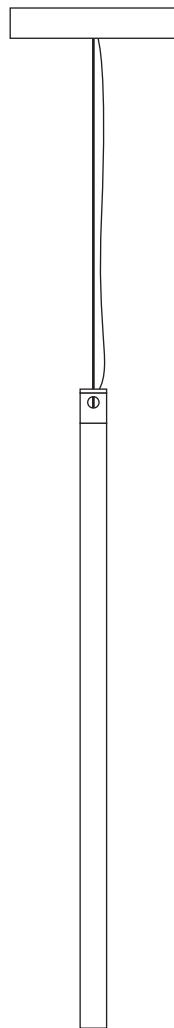


1. Certified electrician is required for electrical installation.
2. Do not, under any circumstance, hold light object by the acrylic tube.
3. LED driver included, installation of LED driver requires certified electrician.
4. Minimum of 2 people recommended for installation.
5. The light source contained in this light object shall only be replaced by the manufacturer or his service agent or similar qualified person.  
Contact manufacturer for service.
6. Please read installation guide thoroughly before beginning installation.



## IMPORTANT

Do not, under any circumstance, hold, use as support, place heavy weight on, wipe clean, lift, rotate or move in any direction the acrylic tube or tubes in this light object. Doing so will waive all product warranties.

Please provide email confirmation that your order and its related components have been received in their entirety and in good condition.

Failure to do so within 48 hours of delivery will waive all product warranties.

PROVIDED SUPPLIES

1. Naama Hofman Light Object 017
2. LED driver
3. Canopy assembly parts
4. White cloth installation gloves

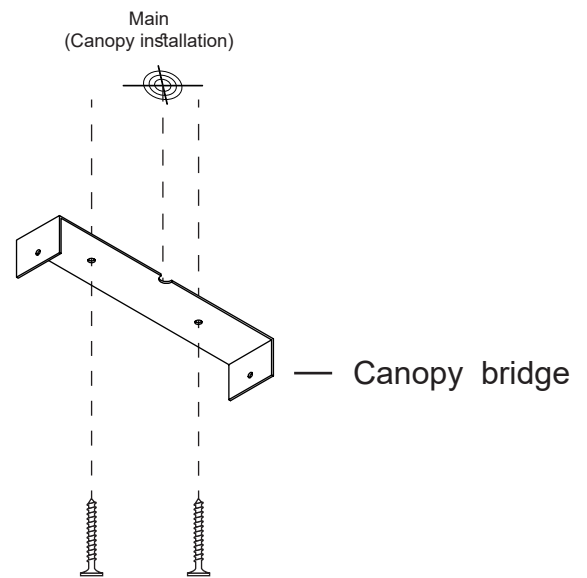
IMPORTANT NOTE:

Keep light object wrappings until end of installation. Use provided cloth gloves for installation to avoid staining brass. Do not hold light object by acrylic tubes when installing. This can damage and break the tubes.

1

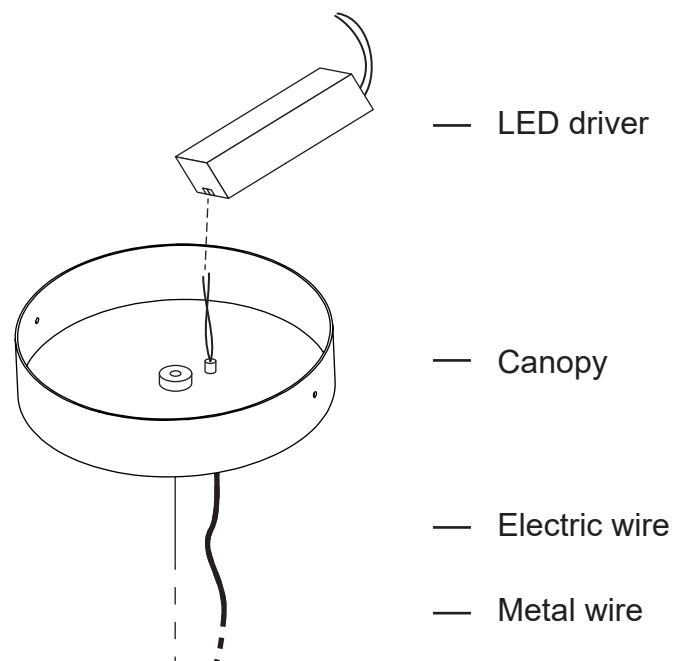
Before installation, make sure to shut down associated electrical breaker and have the electricity wires ready to be connected to light object at the desired location.

Firmly connect the canopy bridge to ceiling with screws and relevant plugs (not included).



2

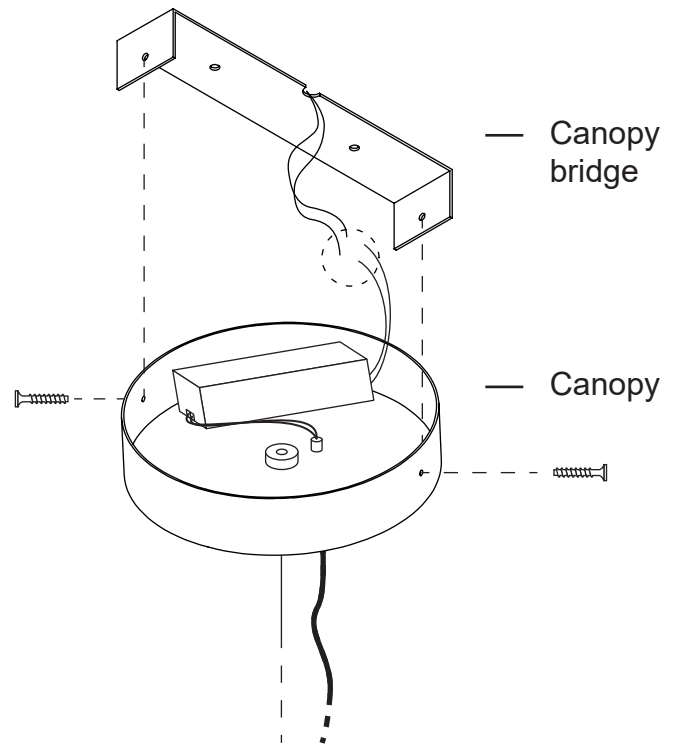
Metal wire and electrical cable are set at requested height. Connect electrical wires from canopy to LED driver.



- 3 Connect electrical wires from LED driver to main electrical source and secure canopy to canopy bridge with screws.

**IMPORTANT**

Do not hold light object by the acrylic tubes when installing as this may permanently damage the light object.



- 4 Gently remove all light object wrapping.