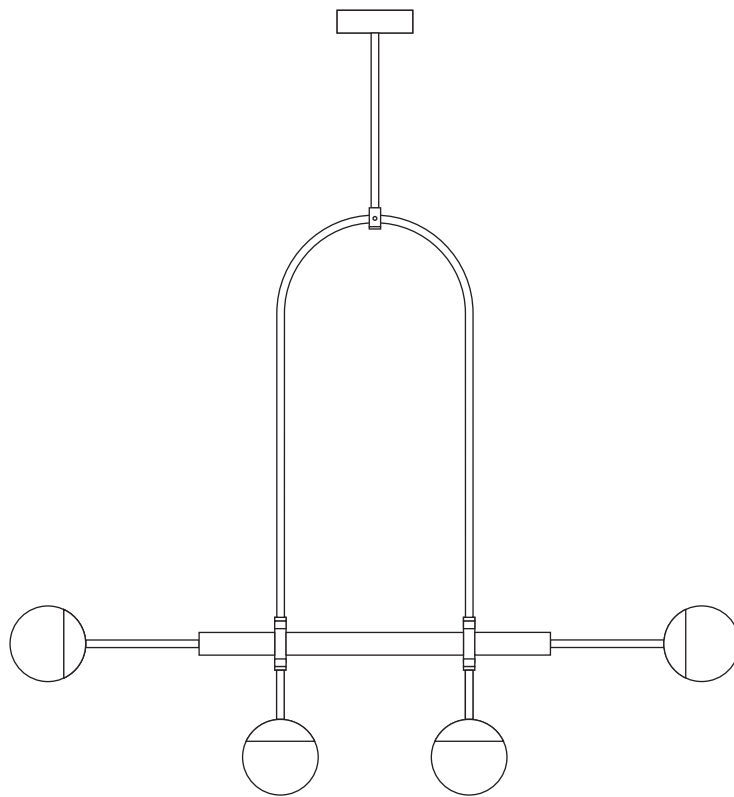


1. Certified electrician is required for electrical installation.
2. For installation, use provided cloth gloves to avoid making stains on brass fixture.
3. Minimum of 2 people recommended for installation.
4. Please read installation guide thoroughly before installation.
5. Install G9 light bulbs and glass balls at the end of installation of light object.
See installation guide for details.



IMPORTANT

Please provide email confirmation that your order and its related components have been received in their entirety and in good condition.

Failure to do so within 48 hours of delivery will waive all product warranties.

PROVIDED SUPPLIES

1. Naama Hofman Light Object 020.1
2. Canopy assembly parts
3. White cloth installation gloves
4. G9 5W LED light bulbs
5. Glass balls

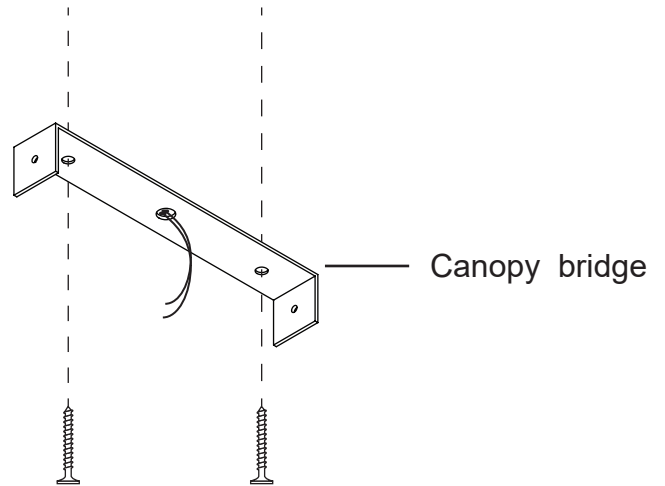
IMPORTANT NOTE:

Remove all wrapping of light object gently but avoid removing any mark stickers.

1

Before installation, make sure to shut down associated electrical breaker and prepare electrical wires in ceiling for installation.

Firmly connect the canopy bridge to ceiling with screws and relevant plugs (not included).

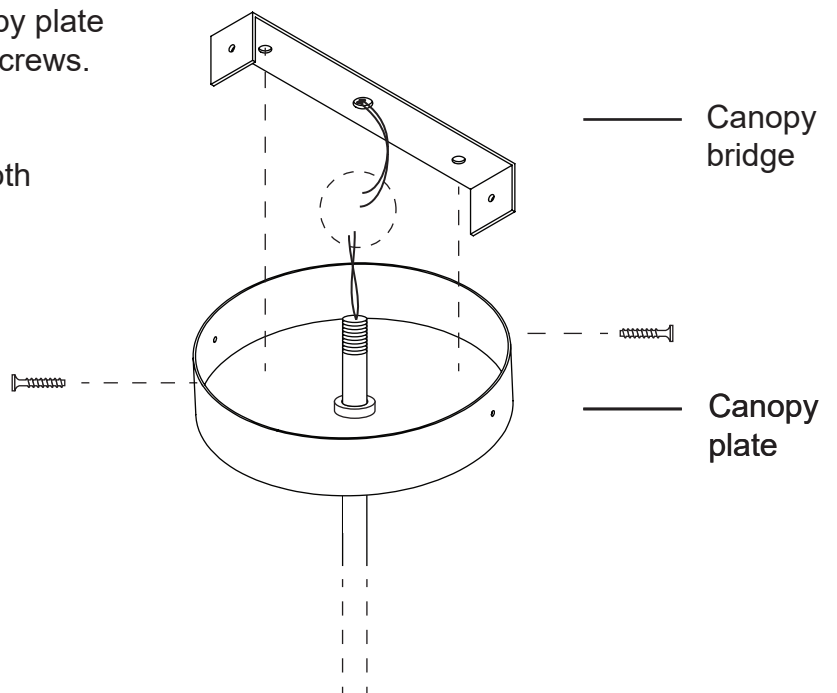


2

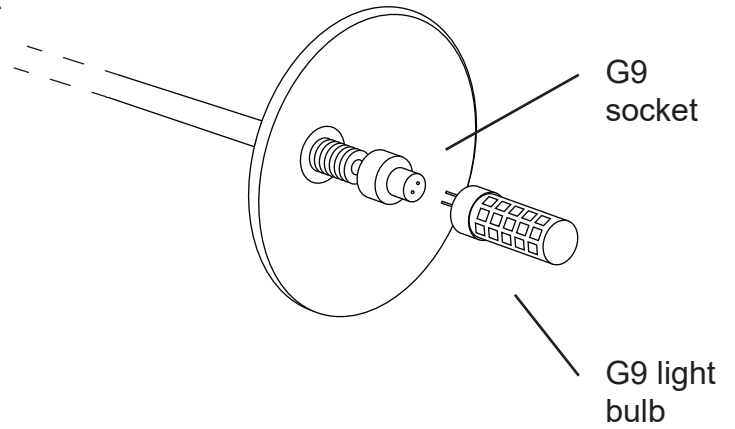
Connect electrical wires and canopy plate to canopy bridge and fasten with screws.

IMPORTANT NOTE:

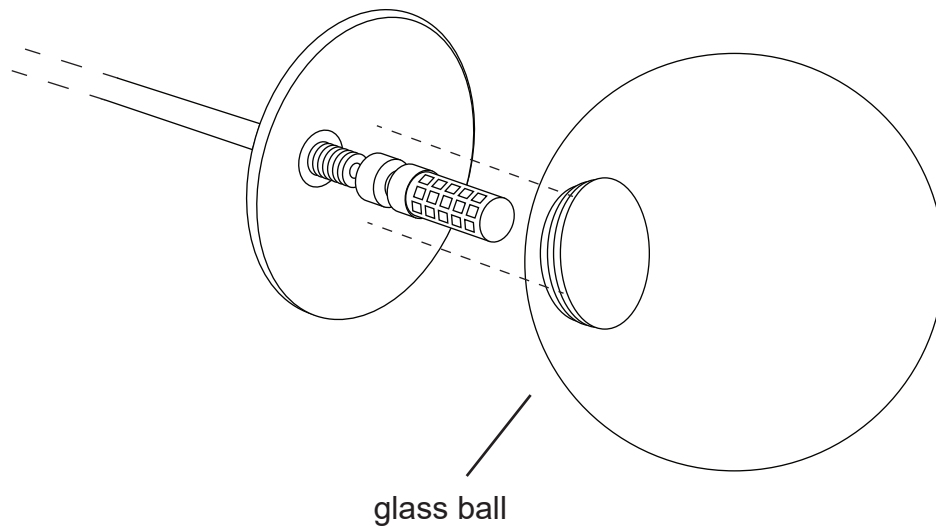
Hold light object using included cloth gloves as to avoid damaging the protective coating of the brass.



- 3** Unpack G9 light bulbs and gently connect to G9 light bulb sockets.



- 4** Screw glass ball gently into place.



- 5** Remove guide stickers gently from light object.