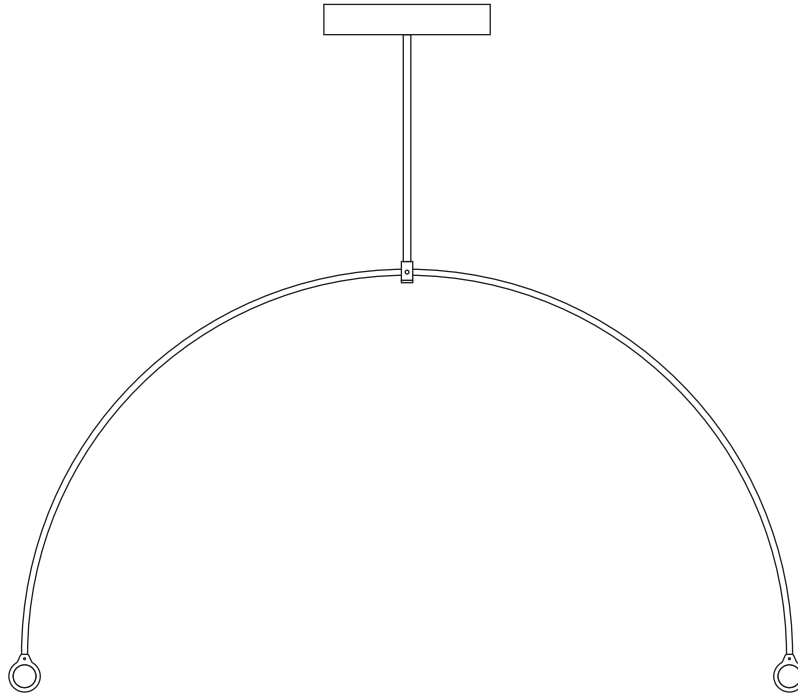


## Tube Pendant 01

### INSTALLATION GUIDE



WEAR GLOVES  
DURING INSTALLATION

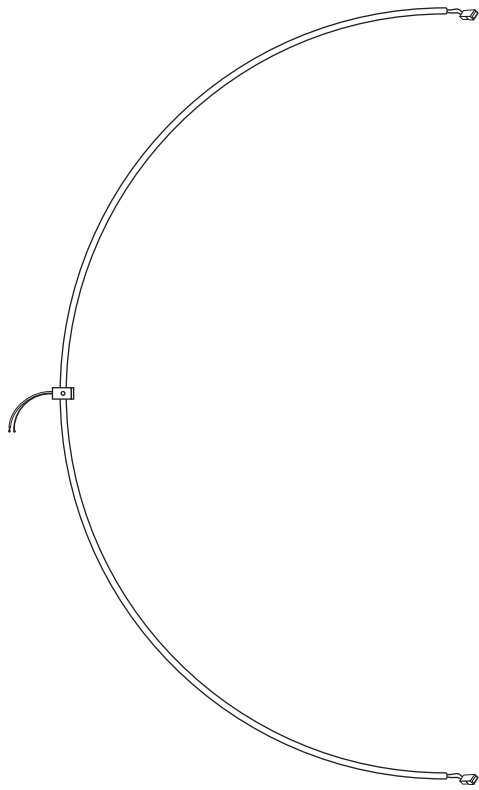
#### **DANGER:**

Electric shock risk. Turn off electrical power before beginning installation and use caution when installing.

#### **IMPORTANT**

- Read installation guide thoroughly before beginning installation.
- Certified electrician is required for electrical installation.
- Minimum of 2 people recommended for installation.
- The light source contained in this light object shall only be replaced by the manufacturer or his service agent or similar qualified person. Contact manufacturer for service.
- Do not, under any circumstance, hold, use as support, place heavy weight on, wipe clean, lift, rotate or move in any direction the acrylic tube or tubes in this light object. Doing so will waive all product warranties.
- Please provide email confirmation that your order and its related components have been received in their entirety and in good condition. Failure to do so within 48 hours of delivery will waive all product warranties.

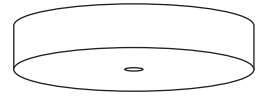
CONTENTS



Tube pendant 01



Canopy bridge



Canopy cover



2x Wago clips



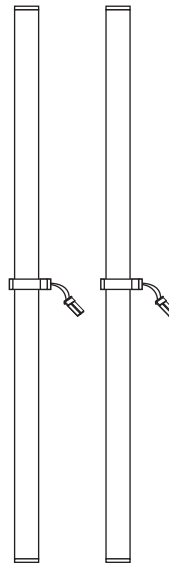
Slip ring



Hexagonal nut



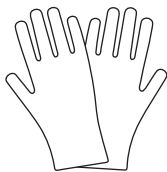
Lock washer



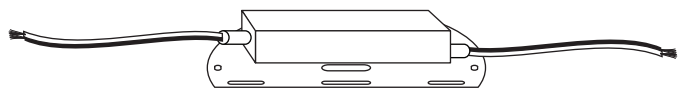
Light tubes



Main stem tube



White installation gloves

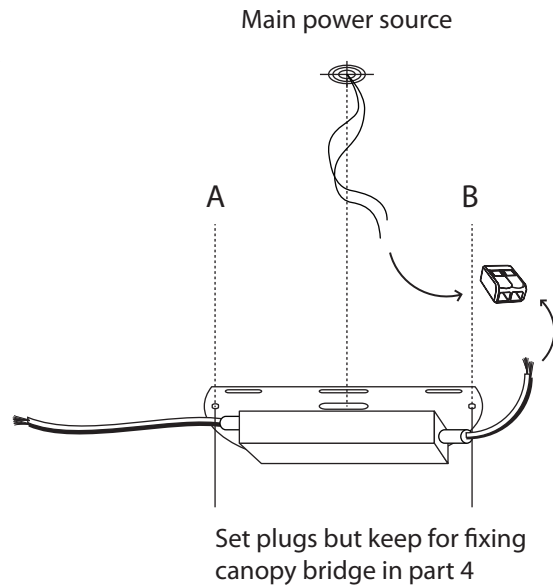


Ceiling backplate & LED driver (connected)

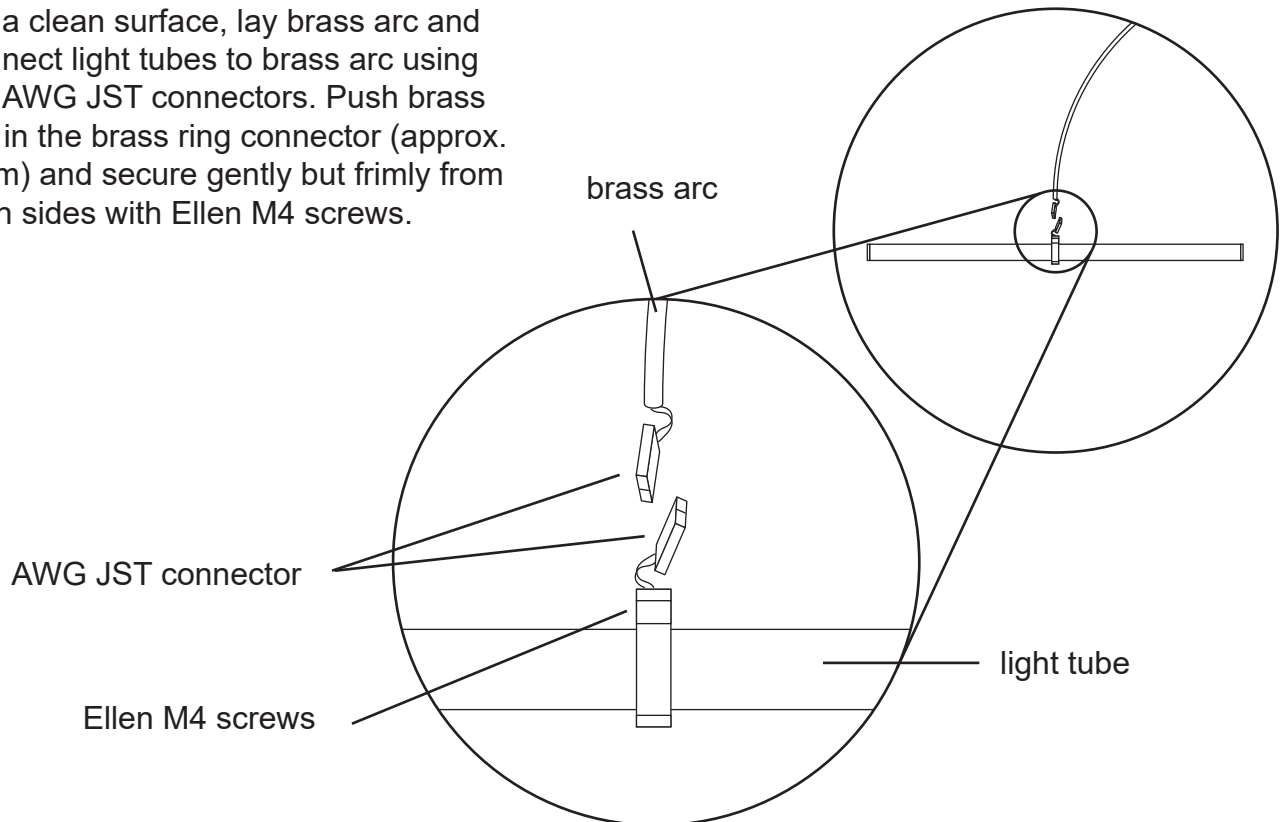
## INSTALLATION GUIDE

- 1 Connect canopy plate to ceiling using appropriate plugs and screws. Prepare plugs in ceiling for fixing canopy bridge (A and B). Connect LED driver to main power source.

See index A for an explanation on how to connect LED driver to main power source and dimming system.

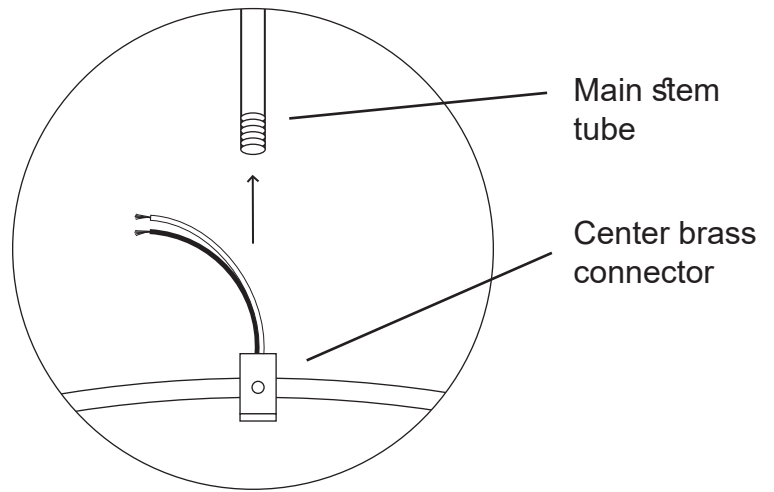


- 2 On a clean surface, lay brass arc and connect light tubes to brass arc using the AWG JST connectors. Push brass arc in the brass ring connector (approx. 1 cm) and secure gently but firmly from both sides with Ellen M4 screws.



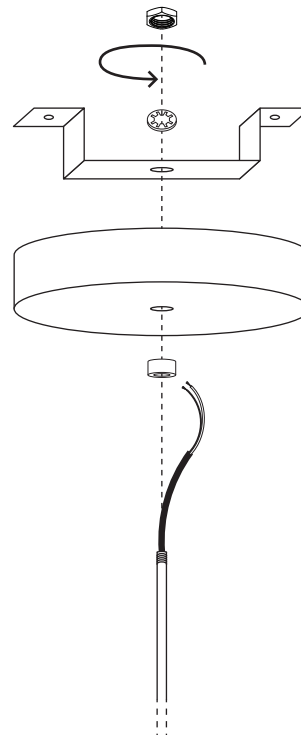
## INSTALLATION GUIDE

- 3 Feed electric wire through main stem tube and gently screw to place the main stem tube.



- 4 Gently feed cord through slip ring, canopy cover, canopy bridge, lock washer and hexagonal nut. Firmly secure the hexagonal nut to main stem tube.

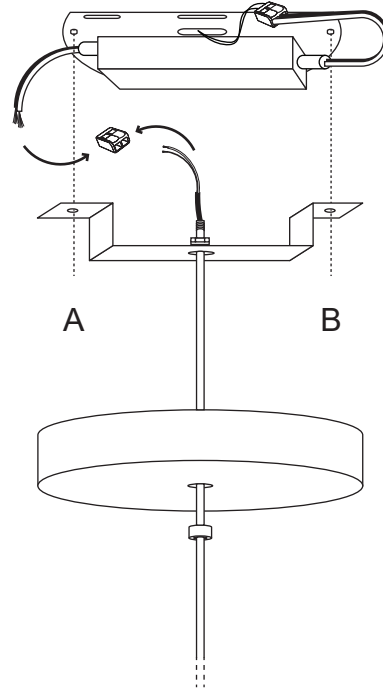
Make sure there is enough cable left to connect light object to the LED driver.



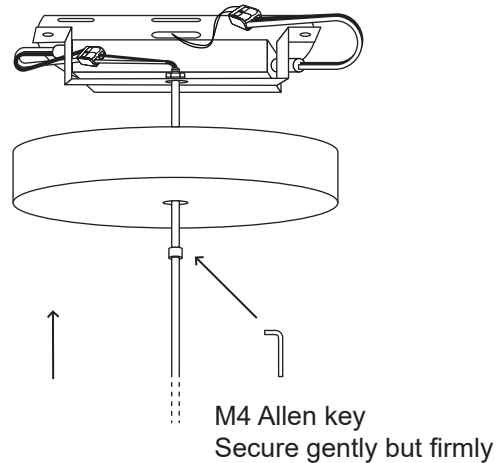
## INSTALLATION GUIDE

- 5** Secure canopy bridge to canopy backplate with screws using the prepared plugs in A and B. Connect monopoints as shown in part 6 before connect LED driver to light object.

See index A for an explanation on how to connect LED driver to main power source and dimming system.



- 6** Carefully raise brass canopy and brass slip ring to secure the brass canopy in place. Secure brass slip ring to main stem tube. Be careful to not scratch luminaire when raising the canopy. Ensure no wires are clipped or pinched during these steps.



INDEX A - LED driver connection instructions

Connect Vo+(Red) to RED wire and Vo-(Black) to BLACK wire from Light Object.

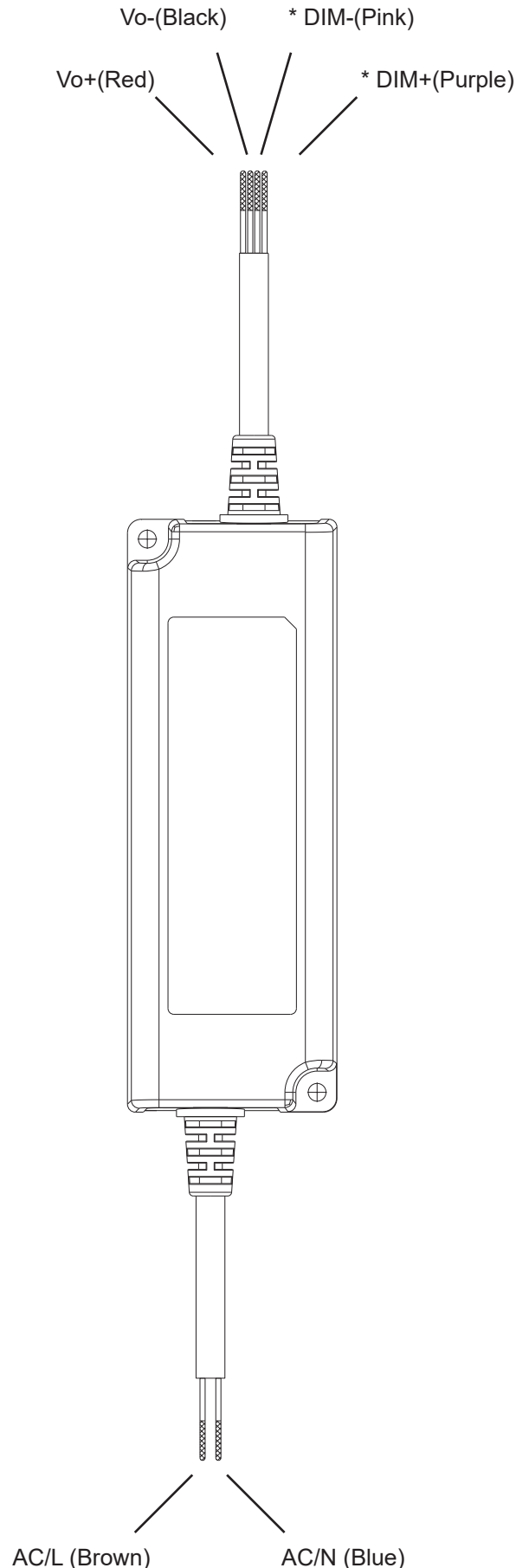
IMPORTANT NOTICE:

1. When installing and whenever acting on the light object, ensure that the power supply has been switched off.
2. The light object may in no way be modified or tampered with, any modification may compromise safety causing the appliance to become dangerous. Naama Hofman Light Objects declines all responsibility for products that are modified.
3. The light source cannot be replaced by the customer.

\* NOTE

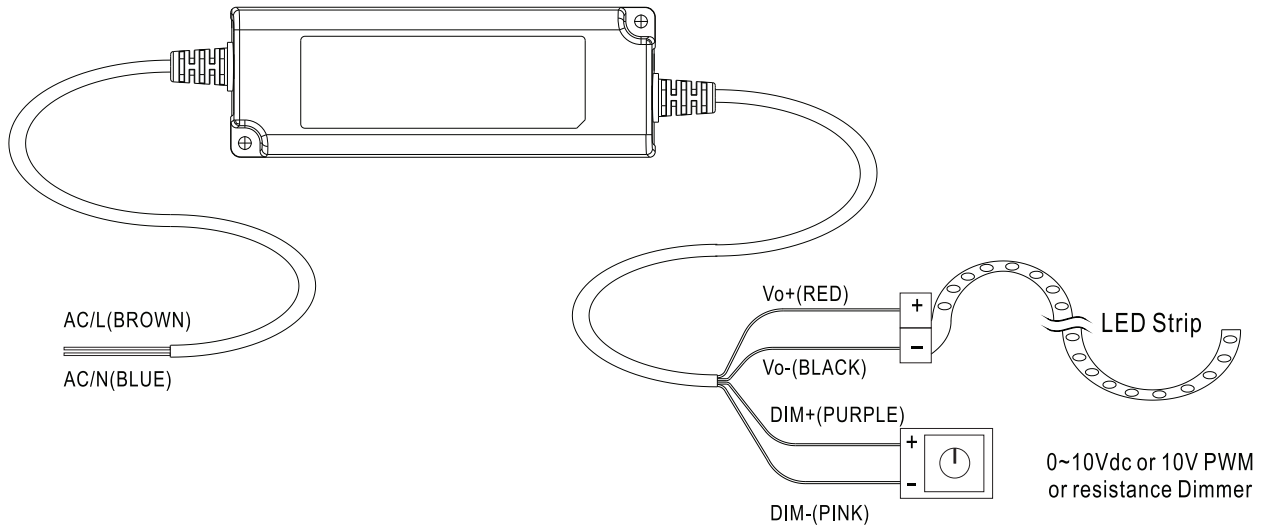
Wire color may vary. Contact us at [info@naamahofman.com](mailto:info@naamahofman.com) for support

Connect AC/L (Brown) and AC/N (Blue) to main power source.



■ **Installation Manual**

◎ **Connection for Blank-type**



◎ **Cautions**

- Before commencing any installation or maintenance work, please disconnect the power supply from the utility. Ensure that it cannot be re-connected inadvertently!
- Keep proper ventilation around the unit and do not stack any object on it. Also a 10-15 cm clearance must be kept when the adjacent device is a heat source.
- Mounting orientations other than standard orientation or operate under high ambient temperature may increase the internal component temperature and will require a de-rating in output current.
- Current rating of an approved primary /secondary cable should be greater than or equal to that of the unit. Please refer to its specification.
- For LED drivers with waterproof connectors, verify that the linkage between the unit and the lighting fixture is tight so that water cannot intrude into the system.
- For dimmable LED drivers, make sure that your dimming controller is capable of driving these units. PWM series require 0.15mA each unit.
- Tc max. is identified on the product label. Please make sure that temperature of Tc point will not exceed limit.
- DO NOT connect "DIM- to Vo-".
- Suitable for indoor use or outdoor use without direct sunlight exposure. Please avoid immerse in the water over 30 minutes.
- The power supply is considered as a component that will be operated in combination with final equipment. Since EMC performance will be affected by the complete installation, the final equipment manufacturers must re-qualify EMC Directive on the complete installation again.