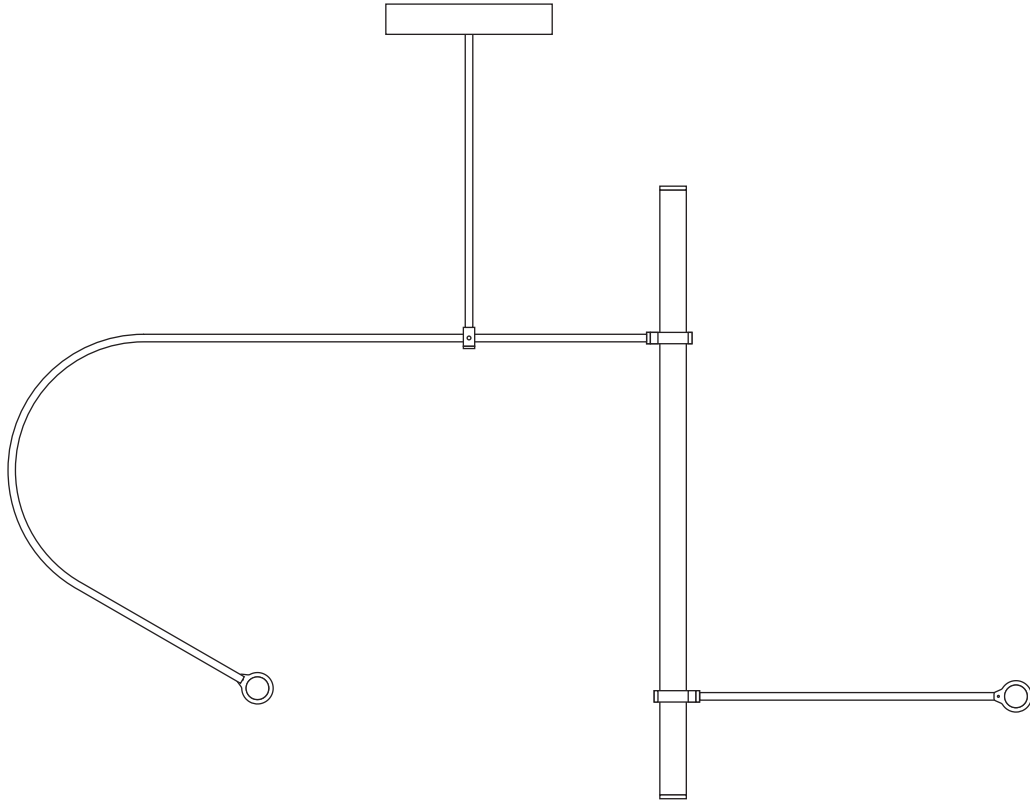


Tube Pendant 02

INSTALLATION GUIDE



WEAR GLOVES
DURING INSTALLATION

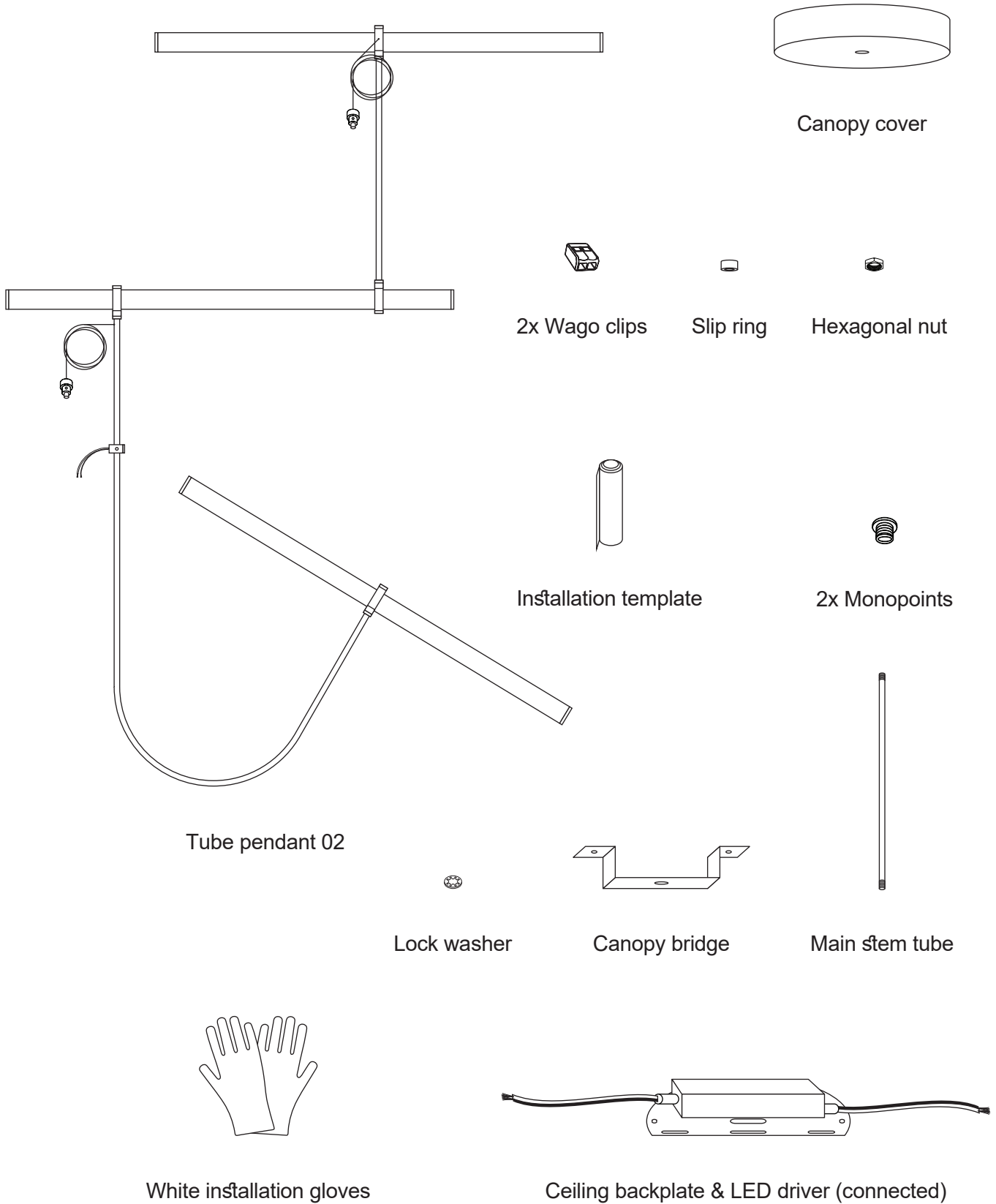
DANGER:

Electric shock risk. Turn off electrical power before beginning installation and use caution when installing.

IMPORTANT

- Read installation guide thoroughly before beginning installation.
- Certified electrician is required for electrical installation.
- Minimum of 2 people recommended for installation.
- The light source contained in this light object shall only be replaced by the manufacturer or his service agent or similar qualified person. Contact manufacturer for service.
- Do not, under any circumstance, hold, use as support, place heavy weight on, wipe clean, lift, rotate or move in any direction the acrylic tube or tubes in this light object. Doing so will waive all product warranties.
- Please provide email confirmation that your order and its related components have been received in their entirety and in good condition. Failure to do so within 48 hours of delivery will waive all product warranties.

CONTENTS

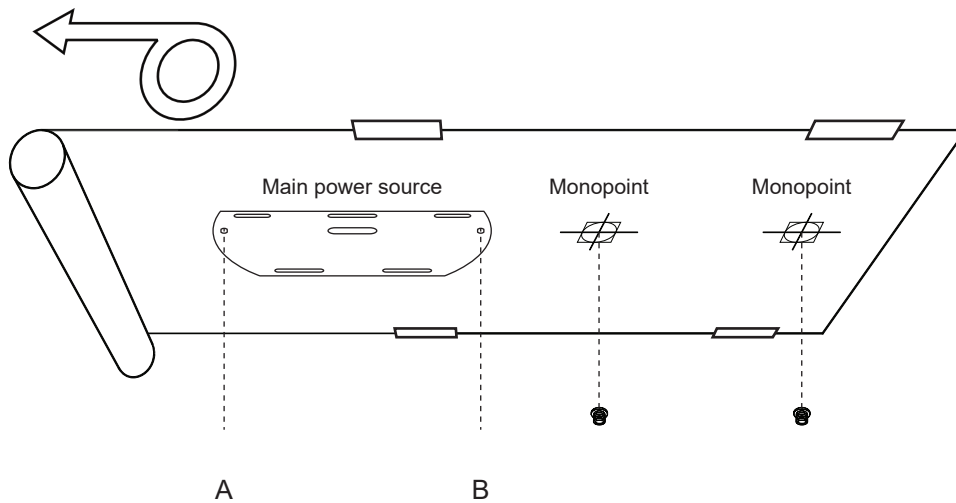


INSTALLATION GUIDE

- 1 Tape provided 1:1 installation template to ceiling at desired location and prepare plugs according to ceiling properties. Prepare 4 plugs to secure canopy backplate, 2 plugs to secure monopoints and 2 plugs (A and B) to secure canopy bridge later in the installation. Secure top monopoint at indicated locations.

NOTE

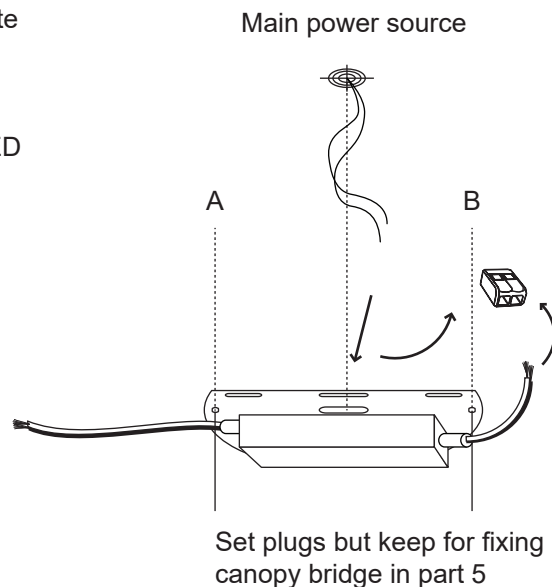
Anchor point should be capable of supporting 10 kg and therefore adequate blocking or toggle bolts are required for proper support at the location of plugs.



Prepare 4 plugs to secure canopy backplate, 2 plugs to secure monopoints and 2 plugs (A and B) to secure canopy bridge later in the installation.

- 2 Connect canopy backplate to ceiling using appropriate plugs and screws. Connect LED driver to main power source.

See index A for an explanation on how to connect LED driver to main power source and dimming system.

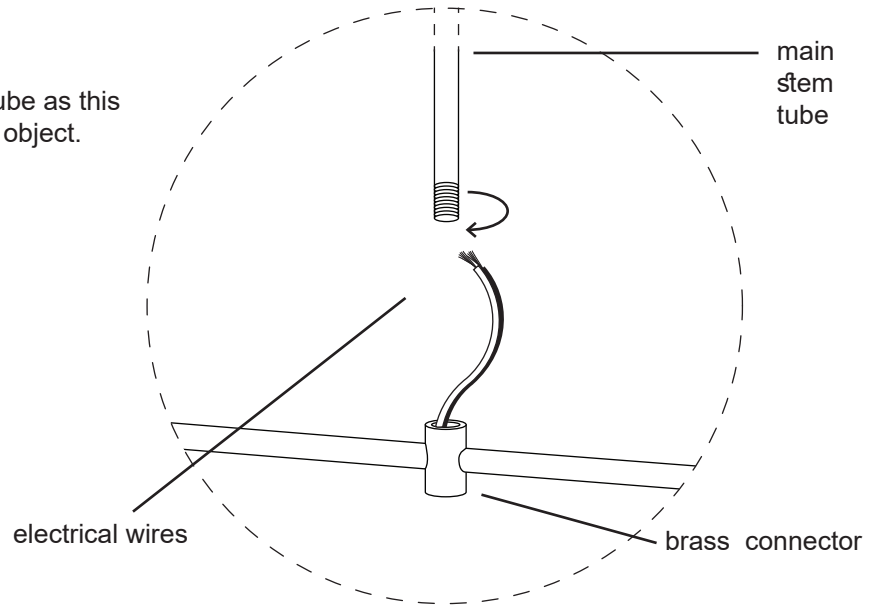


INSTALLATION GUIDE

- 3 Feed electrical wires from brass connector through the main stem tube and carefully screw the main stem tube to the brass connector.

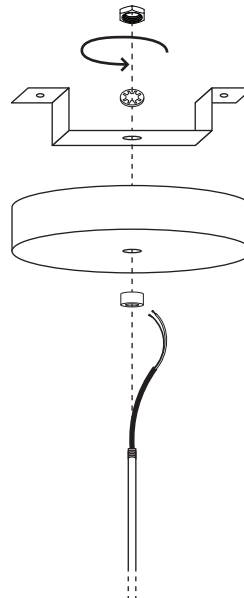
IMPORTANT NOTE:

Do not hold the light object by the acrylic tube as this may cause permanent damage to the light object.



- 4 Gently feed cord through slip ring, canopy cover, canopy bridge, lock washer and hexagonal nut. Firmly secure the hexagonal nut to main stem tube.

Make sure there is enough cable left to connect light object to the LED driver.



INSTALLATION GUIDE

IMPORTANT NOTE:

The length of metal wires was set to an approximate height for easy installation.

Final adjustments can be done after light object is installed using a leveler and making sure to gently support the light object, from brass ring connectors only, to prevent damage to plexiglass tubes.

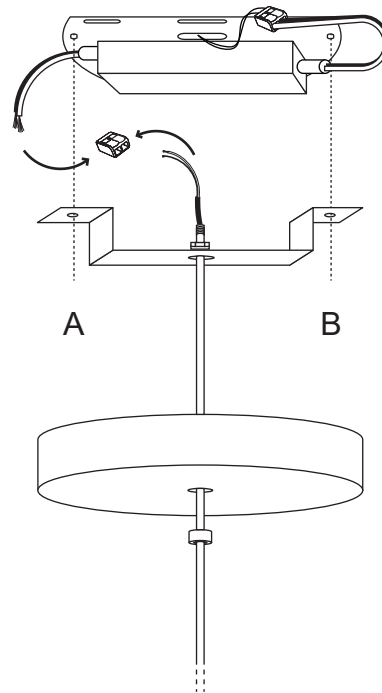
Metal wire length can be changed to desired height using the monopoint control. By screwing loose the monopoint halfway and gently pressing the mechanism to release.

Minimum of 2 people recommended for installation.

Do not hold or lift light object from plexiglass tubes as this can permanently damage the light object.

- 5 Secure canopy bridge to canopy backplate with screws using the prepared plugs in A and B. Connect monopoints as shown in part 6 before connect LED driver to light object.

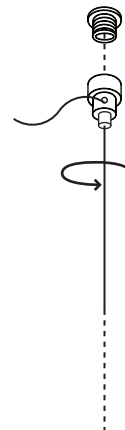
See index A for an explanation on how to connect LED driver to main power source and dimming system.



- 6 Secure monopoints in appropriate locations on ceiling.

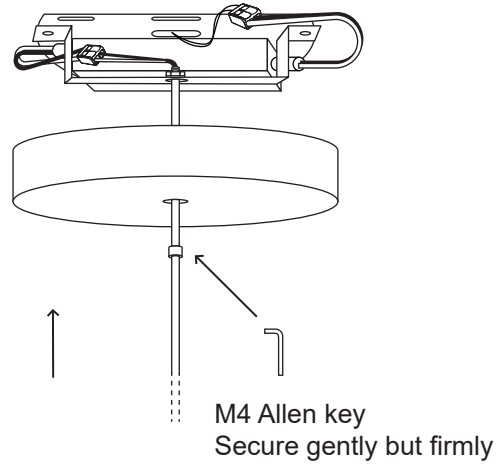
NOTE

Do not clip extra metal wire until the end of installation.



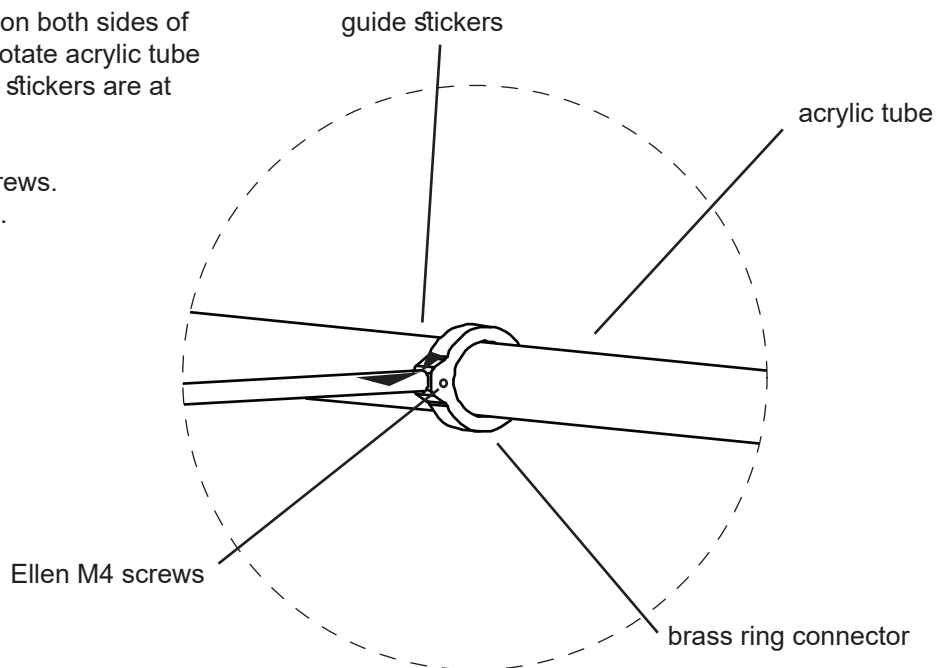
INSTALLATION GUIDE

- 7 Carefully raise brass canopy and brass slip ring to secure the brass canopy in place. Secure brass slip ring to main stem tube. Be careful to not scratch luminaire when raising the canopy. Ensure no wires are clipped or pinched during these steps.



- 8 Slightly release the Ellen M4 screws on both sides of the brass ring connector and gently rotate acrylic tube 90 degrees so that the colored guide stickers are at the correct place.

Firmly but gently secure Ellen M4 screws.
Repeat process for second light tube.



INDEX A - LED driver connection instructions

Connect Vo+(Red) to RED wire and Vo-(Black) to BLACK wire from Light Object.

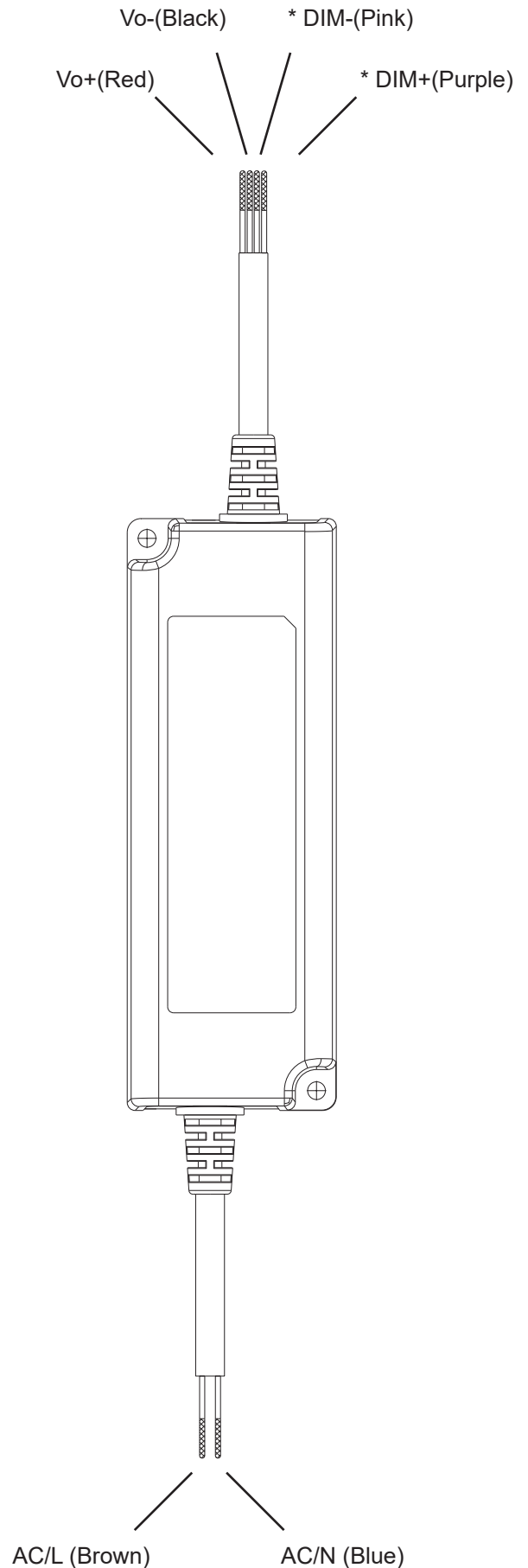
IMPORTANT NOTICE:

1. When installing and whenever acting on the light object, ensure that the power supply has been switched off.
2. The light object may in no way be modified or tampered with, any modification may compromise safety causing the appliance to become dangerous. Naama Hofman Light Objects declines all responsibility for products that are modified.
3. The light source cannot be replaced by the customer.

* NOTE

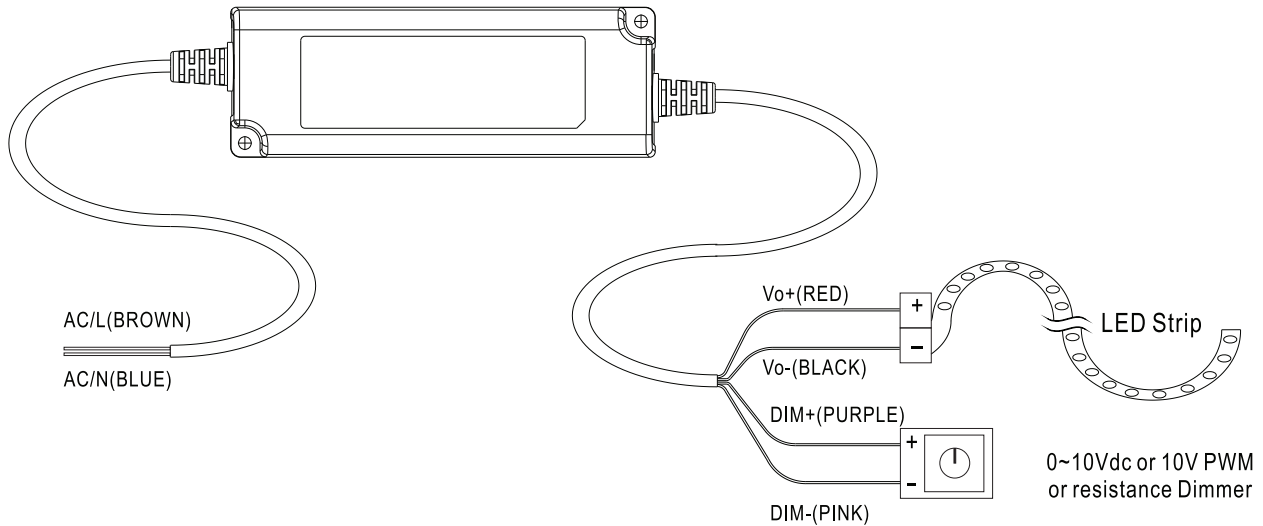
Wire color may vary. Contact us at info@naamahofman.com for support

Connect AC/L (Brown) and AC/N (Blue) to main power source.



■ **Installation Manual**

◎ **Connection for Blank-type**



◎ **Cautions**

- Before commencing any installation or maintenance work, please disconnect the power supply from the utility. Ensure that it cannot be re-connected inadvertently!
- Keep proper ventilation around the unit and do not stack any object on it. Also a 10-15 cm clearance must be kept when the adjacent device is a heat source.
- Mounting orientations other than standard orientation or operate under high ambient temperature may increase the internal component temperature and will require a de-rating in output current.
- Current rating of an approved primary /secondary cable should be greater than or equal to that of the unit. Please refer to its specification.
- For LED drivers with waterproof connectors, verify that the linkage between the unit and the lighting fixture is tight so that water cannot intrude into the system.
- For dimmable LED drivers, make sure that your dimming controller is capable of driving these units. PWM series require 0.15mA each unit.
- Tc max. is identified on the product label. Please make sure that temperature of Tc point will not exceed limit.
- DO NOT connect "DIM- to Vo-".
- Suitable for indoor use or outdoor use without direct sunlight exposure. Please avoid immerse in the water over 30 minutes.
- The power supply is considered as a component that will be operated in combination with final equipment. Since EMC performance will be affected by the complete installation, the final equipment manufacturers must re-qualify EMC Directive on the complete installation again.