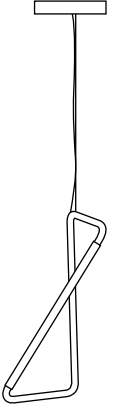
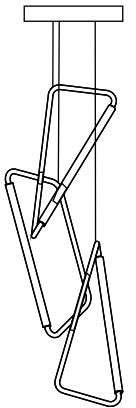


Light Object 001
Pendant

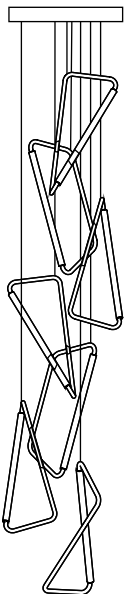
| | | |
|--------|---------------|-----------|
| 1 Tube | Natural Brass | 1250 Euro |
| | Satin Brass | 1400 Euro |
| | Light Bronze | 1600 Euro |
| | Dark Bronze | 1600 Euro |
| | Black | 1400 Euro |
| | White | 1400 Euro |



| | | |
|---------|---------------|-----------|
| 3 Tubes | Natural Brass | 2700 Euro |
| | Satin Brass | 3100 Euro |
| | Light Bronze | 3300 Euro |
| | Dark Bronze | 3300 Euro |
| | Black | 2900 Euro |
| | White | 2900 Euro |



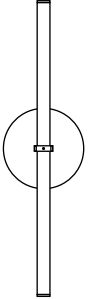
| | | |
|---------|---------------|-----------|
| 7 Tubes | Natural Brass | 5300 Euro |
| | Satin Brass | 6200 Euro |
| | Light Bronze | 6100 Euro |
| | Dark Bronze | 6100 Euro |
| | Black | 5600 Euro |
| | White | 5600 Euro |



Built to order, lead time 6-8 weeks.

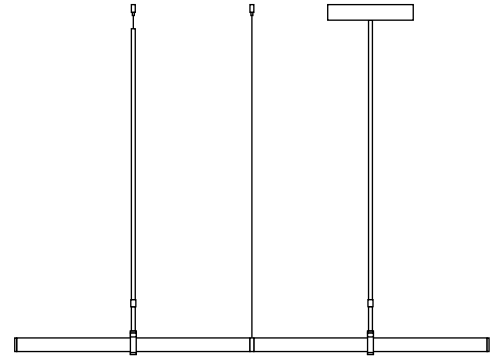
Light Object 014
Wall

| | | |
|--------|---------------|-----------|
| 1 Tube | Natural Brass | 1090 Euro |
| | Satin Brass | 1220 Euro |
| | Light Bronze | 1340 Euro |
| | Dark Bronze | 1340 Euro |
| | Black | 1190 Euro |
| | White | 1190 Euro |

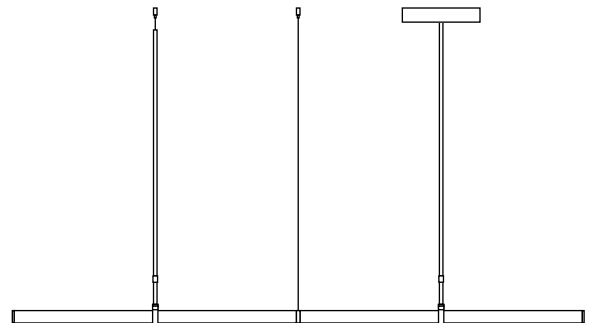


Light Object 015
Pendant

| | | |
|-------------------|---------------|-----------|
| 2 Tubes 125 cm | Natural Brass | 1500 Euro |
| | Satin Brass | 1750 Euro |
| | Light Bronze | 1800 Euro |
| | Dark Bronze | 1800 Euro |
| | Black | 1600 Euro |
| | White | 1600 Euro |



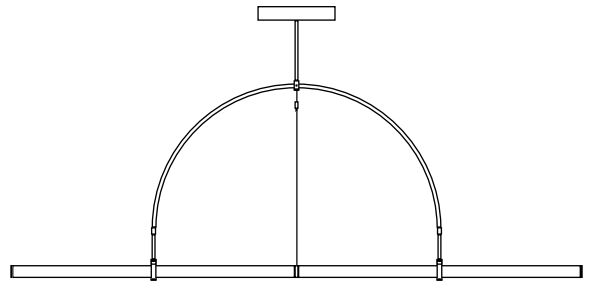
| | | |
|-------------------|---------------|-----------|
| 2 Tubes 165 cm | Natural Brass | 1850 Euro |
| | Satin Brass | 2072 Euro |
| | Light Bronze | 2150 Euro |
| | Dark Bronze | 2150 Euro |
| | Black | 2000 Euro |
| | White | 2000 Euro |



Built to order, lead time 6-8 weeks.

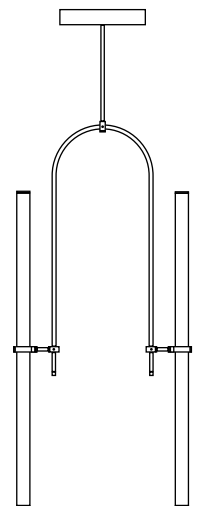
Light Object 015 ARC
Pendant

| | | |
|-------------------|---------------|-----------|
| 2 Tubes 165 cm | Natural Brass | 2300 Euro |
| | Satin Brass | 2450 Euro |
| | Light Bronze | 2650 Euro |
| | Dark Bronze | 2650 Euro |
| | Black | 2500 Euro |
| | White | 2500 Euro |



Light Object 024
Pendant

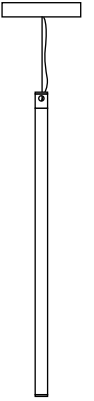
| | | |
|---------|---------------|-----------|
| 2 Tubes | Natural Brass | 1900 Euro |
| | Satin Brass | 2150 Euro |
| | Light Bronze | 2250 Euro |
| | Dark Bronze | 2250 Euro |
| | Black | 2150 Euro |
| | White | 2150 Euro |



Built to order, lead time 6-8 weeks.

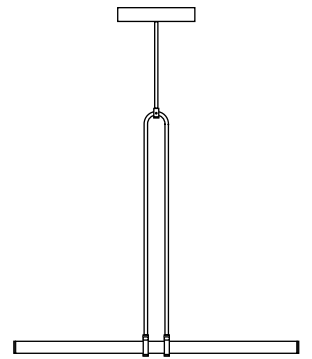
Light Object 017
Pendant

| | | |
|--------|---------------|-----------|
| 1 Tube | Natural Brass | 1260 Euro |
| | Satin Brass | 1320 Euro |
| | Light Bronze | 1460 Euro |
| | Dark Bronze | 1460 Euro |
| | Black | 1410 Euro |
| | White | 1410 Euro |



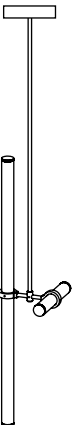
Light Object 018
Pendant

| | | |
|--------|---------------|-----------|
| 1 Tube | Natural Brass | 1650 Euro |
| | Satin Brass | 1800 Euro |
| | Light Bronze | 2150 Euro |
| | Dark Bronze | 2150 Euro |
| | Black | 1850 Euro |
| | White | 1850 Euro |



Light Object 019
Pendant

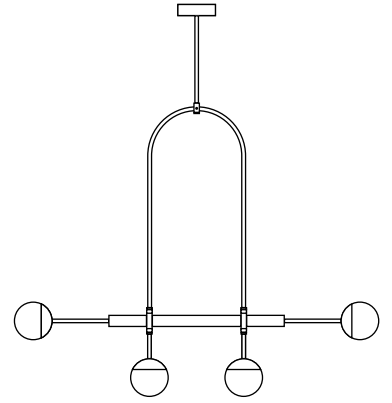
| | | |
|---------|---------------|-----------|
| 2 Tubes | Natural Brass | 1500 Euro |
| | Satin Brass | 1700 Euro |
| | Light Bronze | 2000 Euro |
| | Dark Bronze | 2000 Euro |
| | Black | 1700 Euro |
| | White | 1700 Euro |



Built to order, lead time 6-8 weeks.

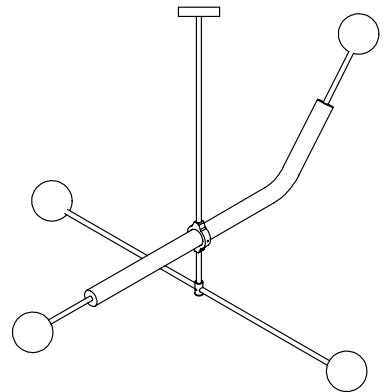
Light Object 020.1
Pendant

| | | |
|----------|---------------|-----------|
| 4 Lights | Natural Brass | 2850 Euro |
| | Satin Brass | 3200 Euro |
| | Light Bronze | 3900 Euro |
| | Dark Bronze | 3900 Euro |
| | Black | 3150 Euro |
| | White | 3150 Euro |



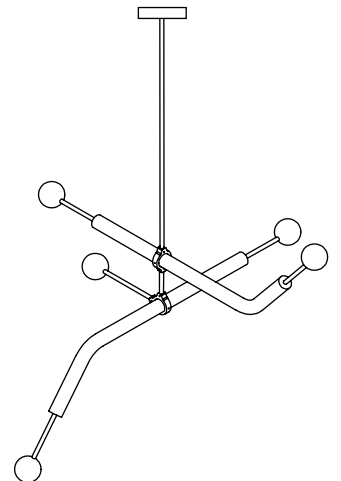
Light Object 020.2
Pendant

| | | |
|----------|---------------|-----------|
| 4 Lights | Natural Brass | 2950 Euro |
| | Satin Brass | 3300 Euro |
| | Light Bronze | 3650 Euro |
| | Dark Bronze | 3650 Euro |
| | Black | 3250 Euro |
| | White | 3250 Euro |



Light Object 020.3
Pendant

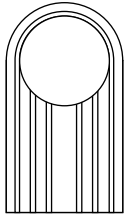
| | | |
|----------|---------------|-----------|
| 5 Lights | Natural Brass | 3900 Euro |
| | Satin Brass | 4300 Euro |
| | Light Bronze | 4600 Euro |
| | Dark Bronze | 4600 Euro |
| | Black | 4200 Euro |
| | White | 4200 Euro |



Built to order, lead time 6-8 weeks.

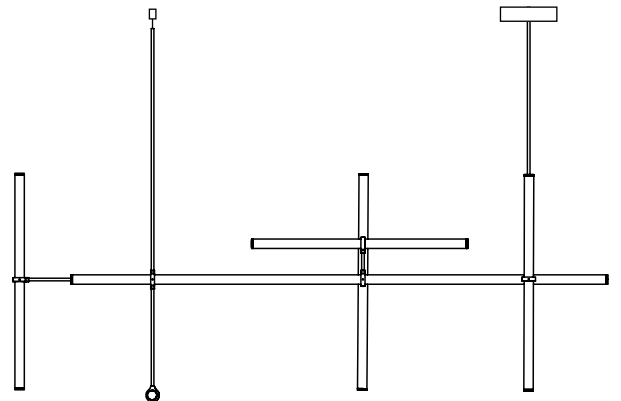
Light Object 021
Wall

| | | |
|----------|---------------|-----------|
| 1 Lights | Natural Brass | 1100 Euro |
| | Satin Brass | 1300 Euro |
| | Light Bronze | 1300 Euro |
| | Dark Bronze | 1300 Euro |
| | Black | 1200 Euro |
| | White | 1200 Euro |



Light Object 023
Chandelier

| | | |
|---------|---------------|-----------|
| 5 Tubes | Natural Brass | 7500 Euro |
| | Satin Brass | 9000 Euro |
| | Light Bronze | 9500 Euro |
| | Dark Bronze | 9500 Euro |
| | Black | 9000 Euro |
| | White | 9000 Euro |

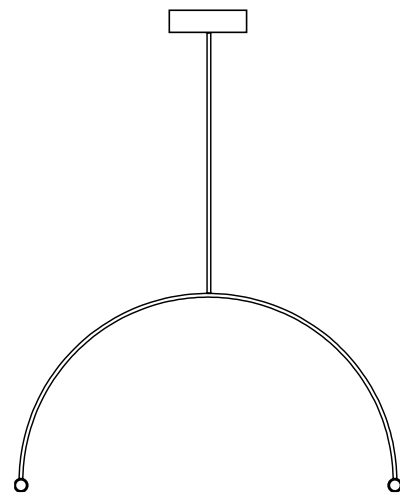


* LO023 is built to order, lead time 12-16 weeks.

Built to order, lead time 6-8 weeks.

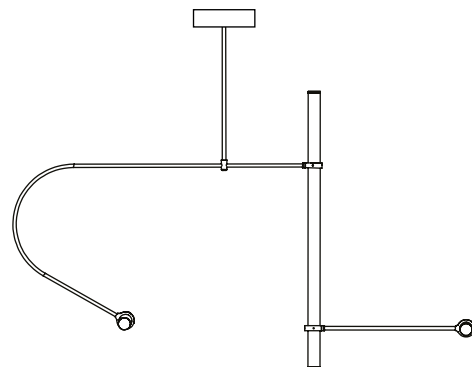
Tube Pendant 01
Pendant

| | | |
|---------|---------------|-----------|
| 2 Tubes | Natural Brass | 2400 Euro |
| | Satin Brass | 2600 Euro |
| | Light Bronze | 3100 Euro |
| | Dark Bronze | 3100 Euro |
| | Black | 2700 Euro |
| | White | 2700 Euro |



Tube Pendant 02
Pendant

| | | |
|---------|---------------|-----------|
| 3 Tubes | Natural Brass | 3000 Euro |
| | Satin Brass | 3350 Euro |
| | Light Bronze | 3800 Euro |
| | Dark Bronze | 3800 Euro |
| | Black | 3300 Euro |
| | White | 3300 Euro |



Built to order, lead time 6-8 weeks.

TERMS & CONDITIONS

ENTIRE AGREEMENT

Acceptance of orders is based on the express condition that buyer agrees to all of the Terms and Conditions contained herein. Acceptance of delivery by buyer will constitute buyer's assent to these Terms and Conditions. These Terms and Conditions represent the complete agreement of the parties, and no Terms and Conditions in any way adding to, modifying or otherwise changing the provisions stated herein shall be binding upon Naama Hofman Light Objects unless made in writing and signed and approved by an officer of Naama Hofman Light Objects. No modification of any of these terms will be affected by Naama Hofman Light Objects shipment of goods following receipt of buyer's purchase order, shipping request or similar forms containing printed terms and conditions conflicting or inconsistent with the terms herein.

ALL SALES

All prices are in Euro and exclude taxes & shipping costs. Prices may be subject to change without notice. All light objects are hand made to order and require a 100% non-refundable deposit for order confirmation and to initiate order fulfillment. We are not liable for any errors a client has overlooked in invoice after payment has been made. Goods will be ready to ship within the lead time specified. Lead time begins with the receipt of payment and order details. Goods will ship when invoice is paid in full.

CANCELLATION OF ORDERS & RETURNS

All orders are not cancelable after two (2) working days from Order Date, nor returnable. Changes in orders or cancellations require prior written approval from Naama Hofman Light Objects. Such orders will be subject to change, cancellation or stocking fees up to 50% of the net selling price.

Because of the hand-made nature of our product, we are not able to offer returns or refunds.

WARRANTY

Naama Hofman Light Objects fixtures are guaranteed for two year after receipt (not installation) against mechanical defects. Naama Hofman Light Objects will repair or replace defective components or product. All fixtures are listed for dry locations (IP20). Installation of fixtures not according to installation instructions will forfeit warranty. Replacement of products or parts of products will be within the normal production time period required to reorder and manufacture the same product.

We are not responsible for the following:

- Damage caused by improper cleaning solutions or methods.
- Damage caused by improper installation or assembly by the customer or the customer agent.
- Damage to our fixtures or parts of our fixtures caused by the improper use and/or installation of LED driver.
- Damage caused by exposure to weather or improper environment.
- Changes in the appearance of the un-waxed finishes. These are meant to age in appearance.
- Any costs of installation, removal, or re-installation.
- Restoration or repair work.
- Any parts purchased separate from our light objects.
- Damage or breakage resulting from incorrect installation, misuse, accidents, abuse, mishandling or wear resulting from normal use.
- Adjusting the joints or spinning the fixture will void any and all warranties.

PRODUCT QUALITY

Products are inspected and tested by Naama Hofman Light Objects prior to release to ensure that the order is in good condition, fully functional, complete and ready for shipment.

Many metal finishes are applied by hand and may vary in color, tone and character. While Manufacturer will make every effort to match a finish, no guarantee can be made of an exact match. All lighting is handmade, and therefore is subject to slight variations in tone and surface.

DAMAGES

Damages must be documented and reported in writing to info@naamahofman.com within 48 hours of receipt. Failure to do so may invalidate any claim. If damages has occurred in shipping all packaging must be retained by receiver & light object is to be left in packaging. Failure to do so may invalidate any claim. When a damage or quality discrepancy is found, photos should be taken of the product fault. Photos of the packaging may be as important as the item itself in resolving a possible freight claim. Damage claims must include photographs along with a written description of the damage. Failure to do so may invalidate any claim.

LEAD TIME

Lead times begin with receipt of payment. All pieces will be dispatched within the time schedule in the invoice unless otherwise requested and agreed upon.

SHIPPING

As a service to our customers, Naama Hofman Light Objects will arrange the shipping of orders via our preferred carriers. We work with our local shipping partner for domestic and international shipping. All charges will be included in final invoice. Any shipments returned to Naama Hofman Light Objects as a result of customer's delay or failure to accept delivery will require customer to pay all additional costs incurred by Naama Hofman Light Object, including storage fees.

All light objects are sent by air unless stated otherwise. For international shipments, any local taxes, VAT, or duties are billed by customs are the client responsibility. Shipping times are approximate and Naama Hofman Light Objects is not responsible for any loss, damage, cost or expense related to any delay in shipment or delivery.

TAXES

All taxes and excises of any nature whatsoever now or hereafter levied by governmental authority, whether federal, state or local, either directly or indirectly, upon the sale or transportation of any goods covered hereby shall be paid and borne by Buyer.

INSTALLATION

We provide clear installation instructions, please read instructions carefully before installation. Light objects should only be installed by a certified electrician and by two people. Please do not remove labels until installation is complete. Please note that the joints on the branching armatures cannot be adjusted. Do not spin the fixture as this can affect the security of installation. Please use installation gloves provided when installing the lights.

DESIGN & VARIATION

All parts are made by hand and will include some natural variation in size, shape and color. In pendant tube objects we provide light tube to purchase if needed, please note that in that case light color may not be adjusted to the original light tubes.

FORCE MAJEURE

All quoted completion and delivery dates are estimates only. We will not be liable for any failure or delay in performance or delivery which might be due, in whole or in part, directly or indirectly, to any contingency, delay, failure, or cause of, any nature beyond our reasonable control. These terms and conditions may not be amended, changed or modified in any way except in written instrument duly executed by both parties. Should any piece delivered be other than specified or agreed in the final order acknowledgement, client must notify Naama Hofman Light Objects immediately in writing. Absolutely no back charges will be considered if we are not allowed to first correct any inaccuracies. Acceptance by Buyer of any goods shall constitute a waiver by Buyer of any claim for damages on account of any delay in delivery of such goods.

EXCLUSIONS

All of Naama Hofman Light Objects drawings, descriptive matter, weights, dimensions, descriptions and illustrations contained in the Naama Hofman Light Objects catalogues, price lists or advertisements are close approximations only and intended to give a general description of the goods and shall not form any part of this agreement. Furthermore, Naama Hofman Light Objects at all times retains the exclusive Intellectual Property rights over said collateral, including custom drawings. Lighting and Objects are handmade, and therefore are subject to variations.

PRODUCT CARE & MAINTENANCE

Your lighting fixture was crafted with integrity at Naama Hofman Light Objects. With proper care, it should last forever. To avoid damaging the finish, clean the fixture only when it is cool to the touch. Use something soft, like a feather duster or microfiber cloth, for the armature. For safety's sake and to protect the stability of its installation, do not spin, move or hold the fixture when cleaning.

For brass, use a microfiber cloth for brass or bronze shades. Do not use glass cleaner or abrasives of any kind on any metal surface. For polished metal, clean polished metal or polished stainless with a cloth. Avoid commercial or heavy duty polishes or waxes, as they can scratch or damage the finish.