

Naama Hofman

Light Objects

Tube Pendant collection 2016

Naama Hofman
Tube Pendant Collection

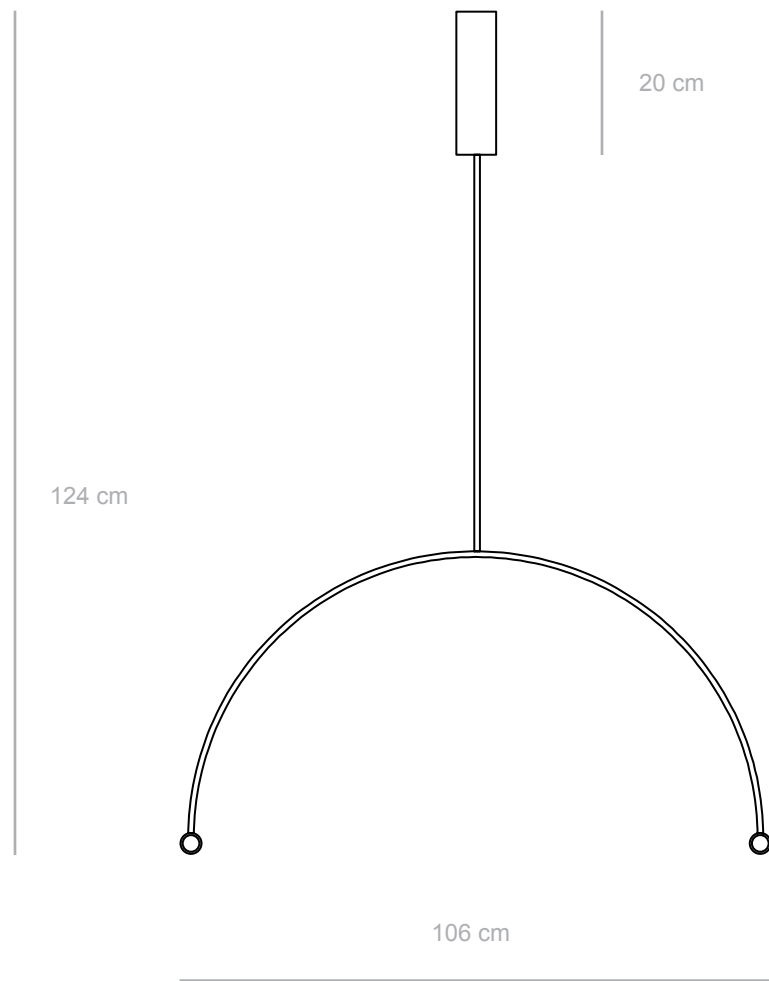
The Tube Pendant Collection by Studio Naama Hofman is a modular light system designed with maximum configuration flexibility and spatial adaptability. Fabricated with LED-illuminated acrylic tubes and held together by brass rods and connected with threaded brass rings, the modular system consists of several acrylic tubes which can easily be assembled in various compositions according to the spatial requirements. Below are six different variations showcasing the minimal collection's qualities of complexity and elegance.



No.1

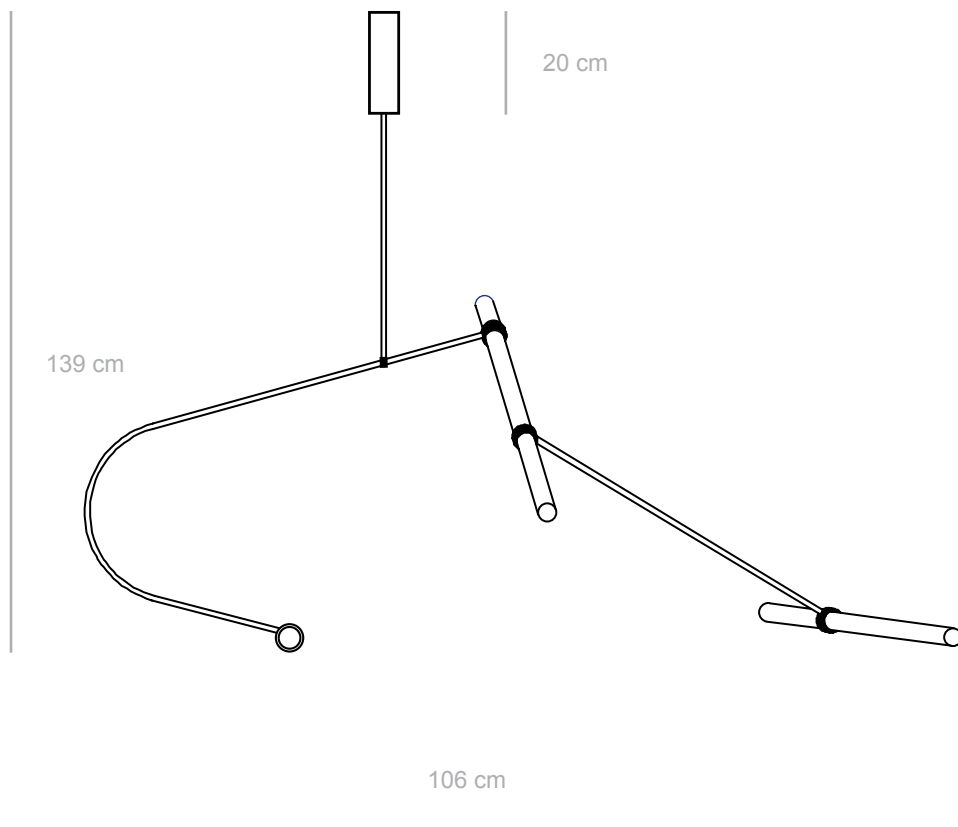


Two pendant light tubes
Brass arc rod, acrylic tubes.
LED strip, 12V warm light.



Acrylic tube diameter: 35 mm
Acrylic tube length: 80 cm
The end of each tube is sealed with a brass plug

No.2



Three pendant light tubes
Brass arc rod and a brass rod, acrylic tubes
LED strip, 12V warm light

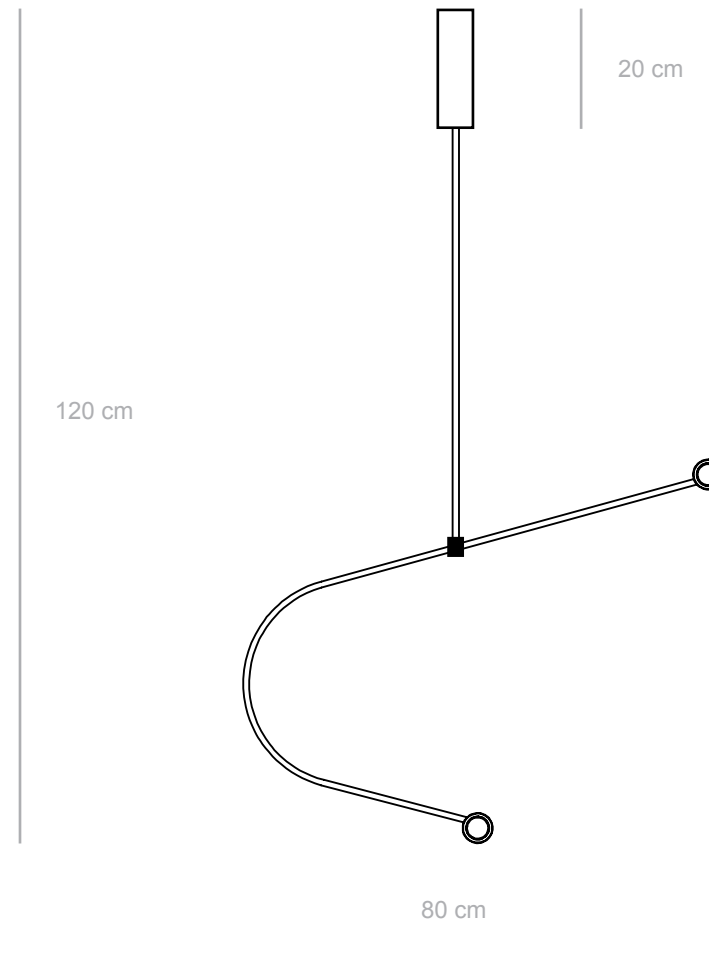


Acrylic tube diameter: 35 mm
Acrylic tube length: 2x80 cm, 1x 60cm
The end of each tube is sealed with a brass plug

No.3



Two pendant light tubes
Brass arc rod, acrylic tubes
LED strip, 12V warm light

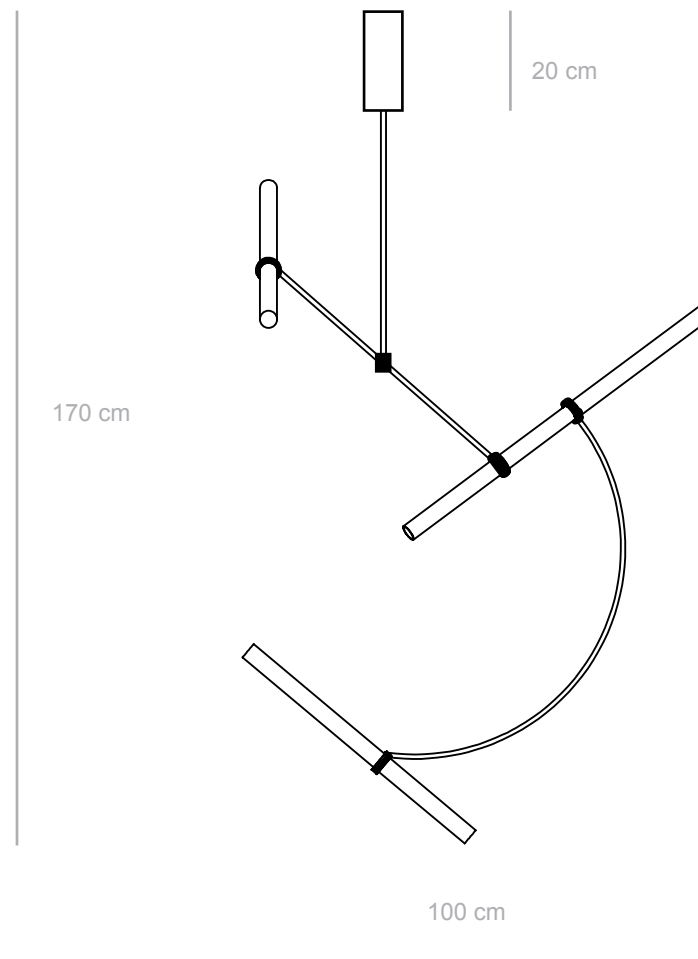


Acrylic tube diameter: 35 mm
Acrylic tube length: 2x80 cm
The end of each tube is sealed with a brass plug

No.4



Three pendant light tubes
One arc and one rod - here with black finish, acrylic tubes
LED strip, 12V warm light

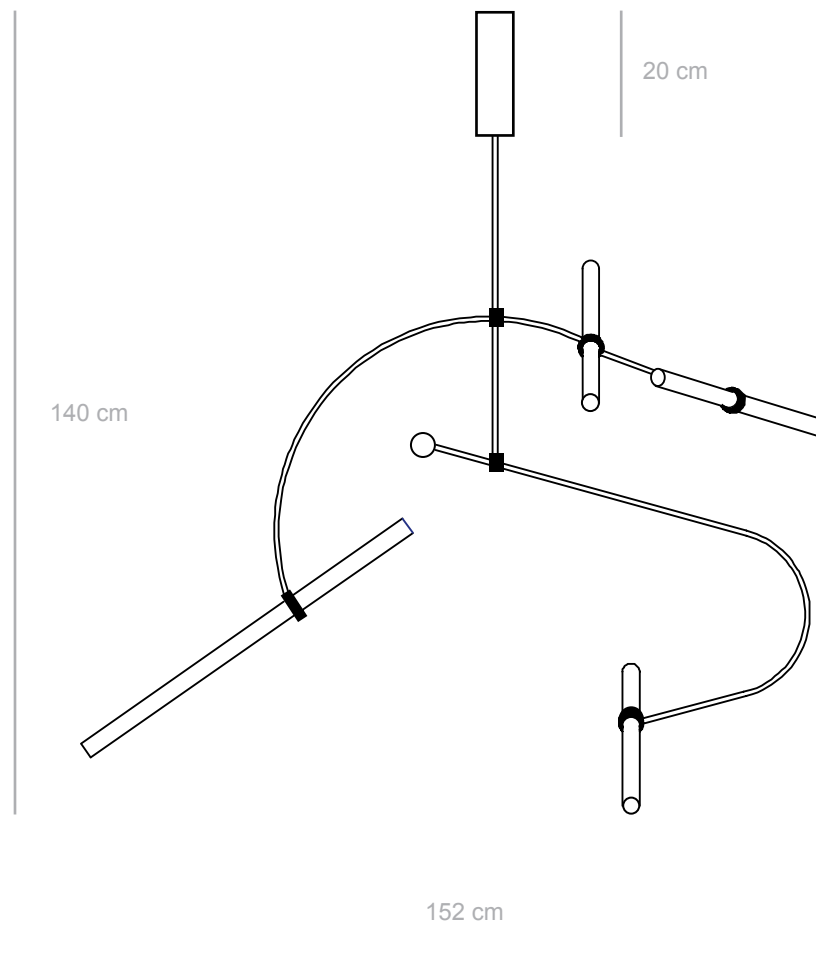


Acrylic tube diameter: 35 mm
Acrylic tube length: 2x80 cm, 1x60 cm
The end of each tube is sealed with a brass plug

No.5

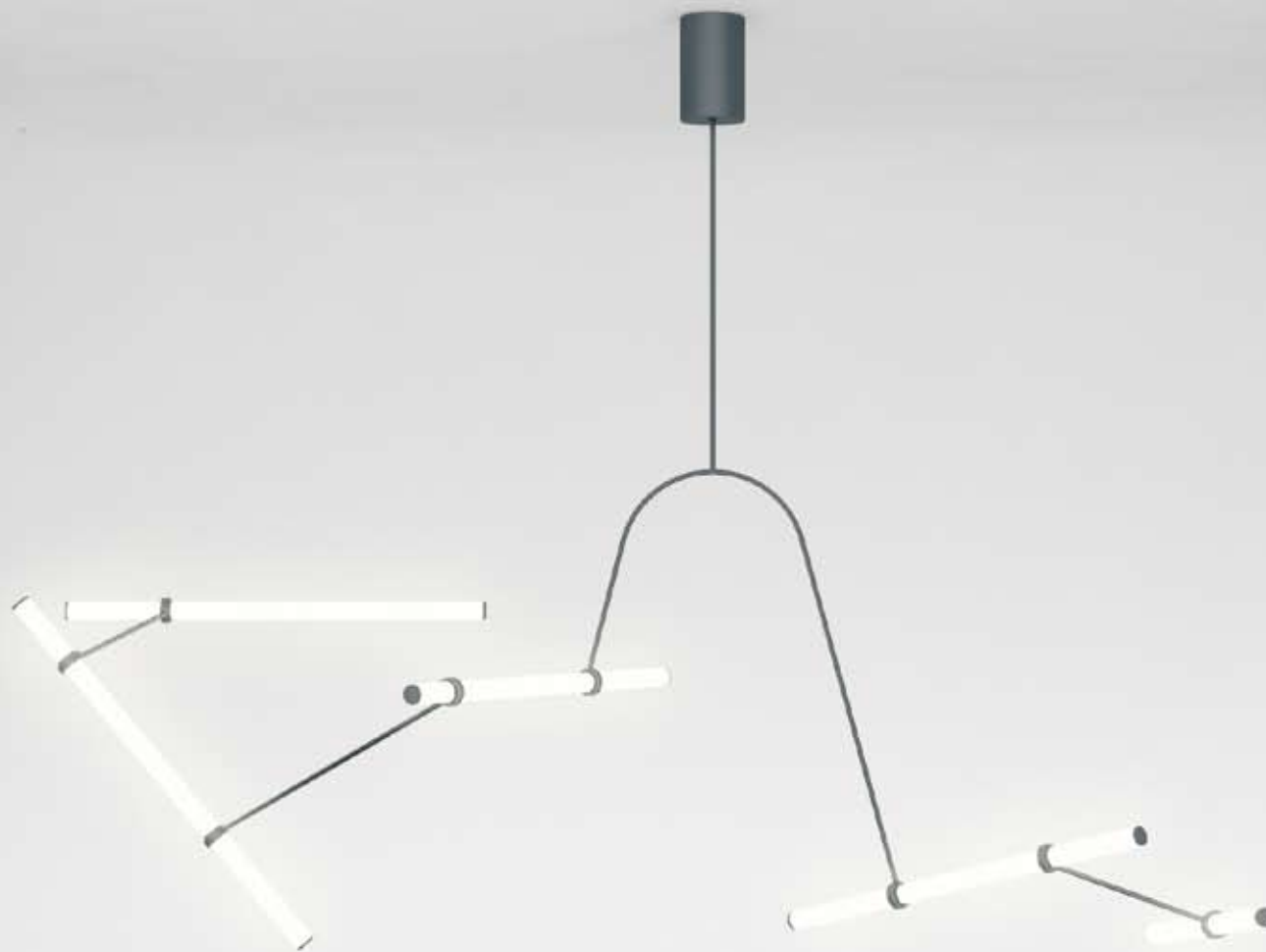


Five Pendant light tubes
Two arcs, one rod - here with black finish, acrylic tubes
LED strip, 12V warm light

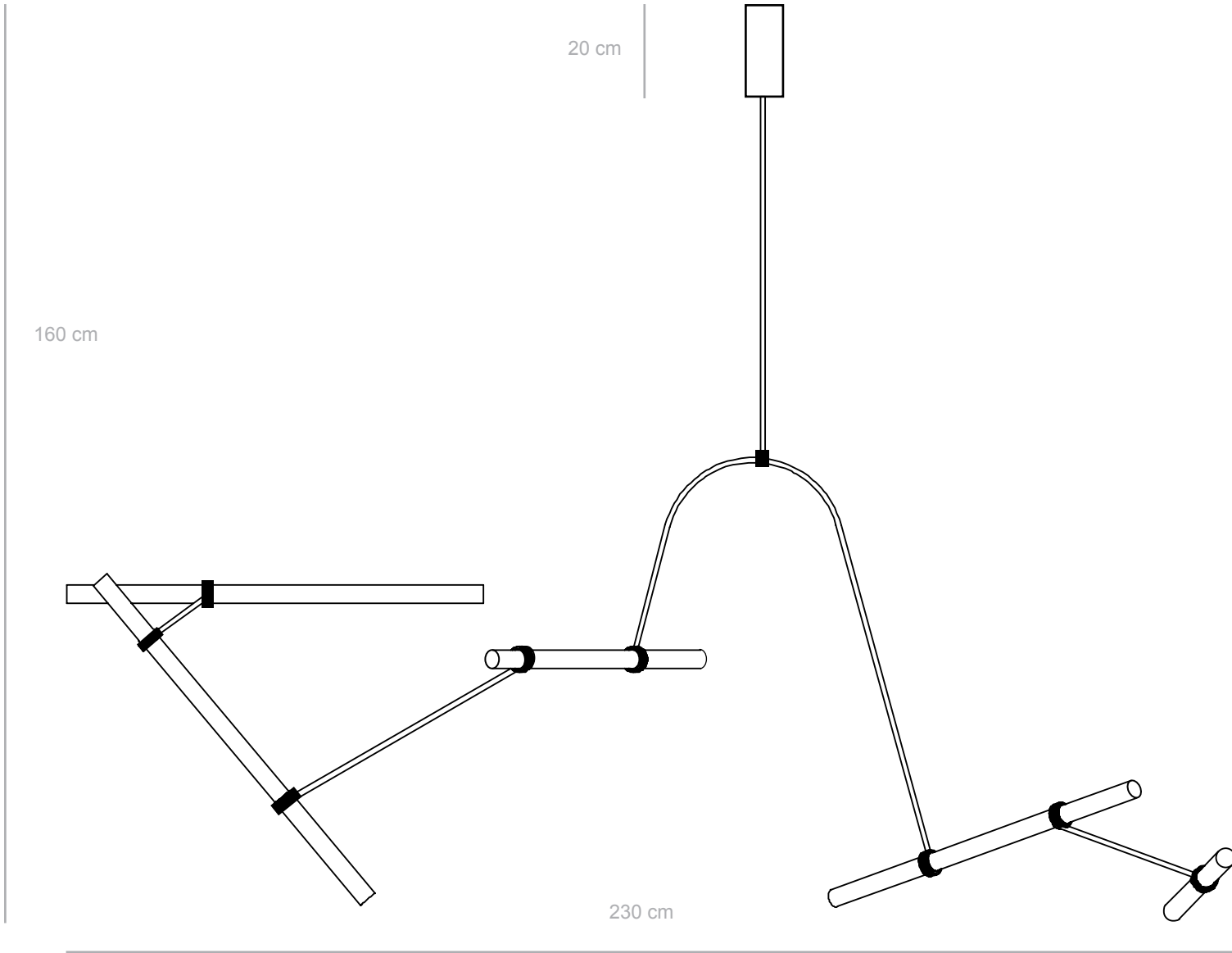


Acrylic tube diameter: 35 mm
Acrylic tube length: 5x80 cm
The end of each tube is sealed with a brass plug

No.6



Acrylic tube diameter: 35 mm
Acrylic tube length: 5x80 cm
The end of each tube is sealed with a brass plug

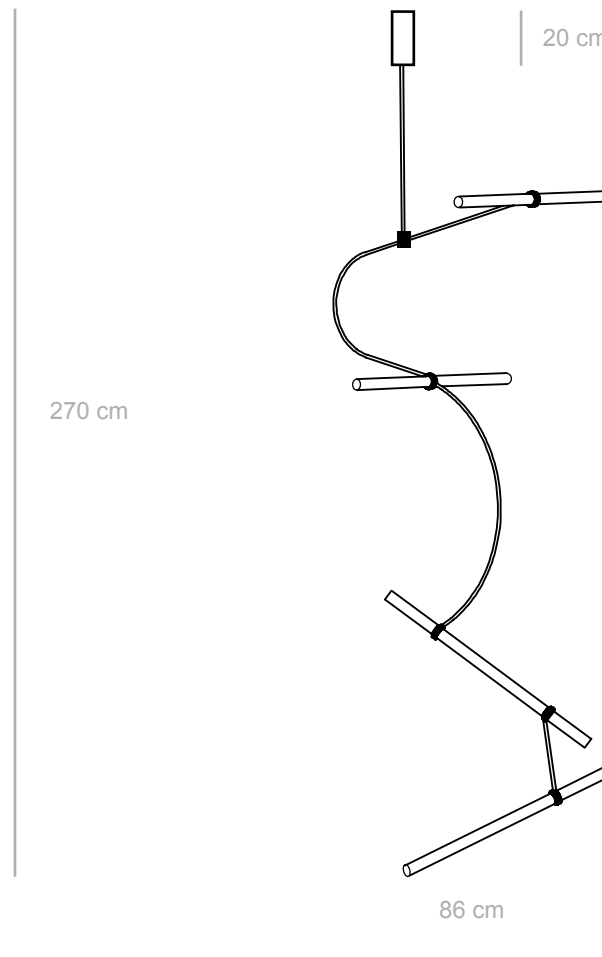


Five Pendant light tubes
One arc, Three rods - here with black finish, acrylic tubes
LED strip, 12V warm light

No.7



Four Pendant light tubes
Two arcs, one rod - here with black finish, acrylic tubes
LED strip, 12V warm light



Acrylic tube diameter: 35 mm
Acrylic tube length: 4x80 cm
The end of each tube is sealed with a brass plug

Finish



White finish



Black finish



Brass finish

Materials: iron, brass, acrylic tube, 120 LED light

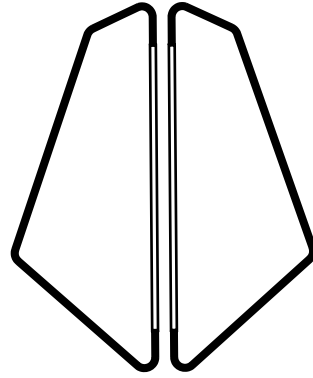
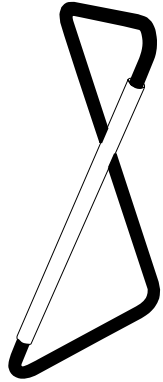
Light source: 12V, LED light strip

Color temperature: 2700 warm white

All metal rods are 10 mm pip radius and all acrylic tubes are 35 mm radius

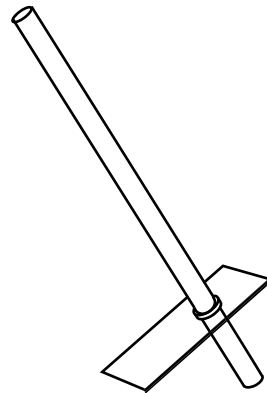
001

Materials: Iron, Acrylic Tube
120 Advanced 12V LED
Color tempatate: 2700 warm white
Dimensions: 45x20x20 cm



Materials: Iron, acrylic tube,
120 Advanced 12V LED. Color
temperature: 2700 warm white.
Dimensions: 70x30x3 cm

004

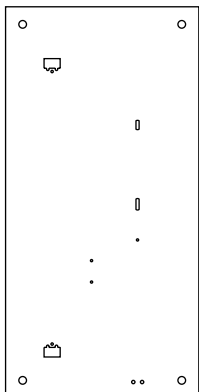


Glass rectangle: 30x15x0.4 cm
Acrylic tube: 80 cm
120 Advanced 12V LED

005/4

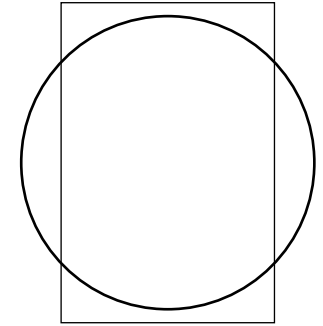
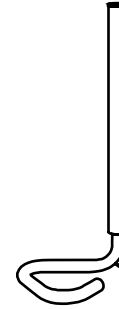
003

Made of Fluorescent lamp
and an acrylic basis.



012

Materials: Iron, Acrylic Tube
60 Advanced 12V LED.

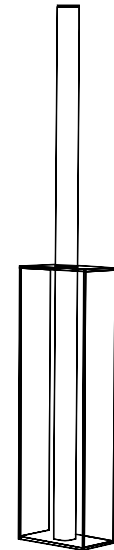


Materials: Tyvak, Perspex
Usage: 12V, LED color warm white 2700K
Dimensions: 75x55 cm / 30x30 cm

009

006

Materials: glass, Perspex, brass.
Usage: 12V, LED color warm white, 2700K.
Dimensions: 110x248x7 cm.



Dimensions: Glass rectangle:
40x13x7 cm, Acrylic tube: 80 cm

005/1



012



009



001



004



001



005/1



005/4



012

naamahofman.com