



NAAMA HOFMAN
LIGHT OBJECTS

THE 020 COLLECTION



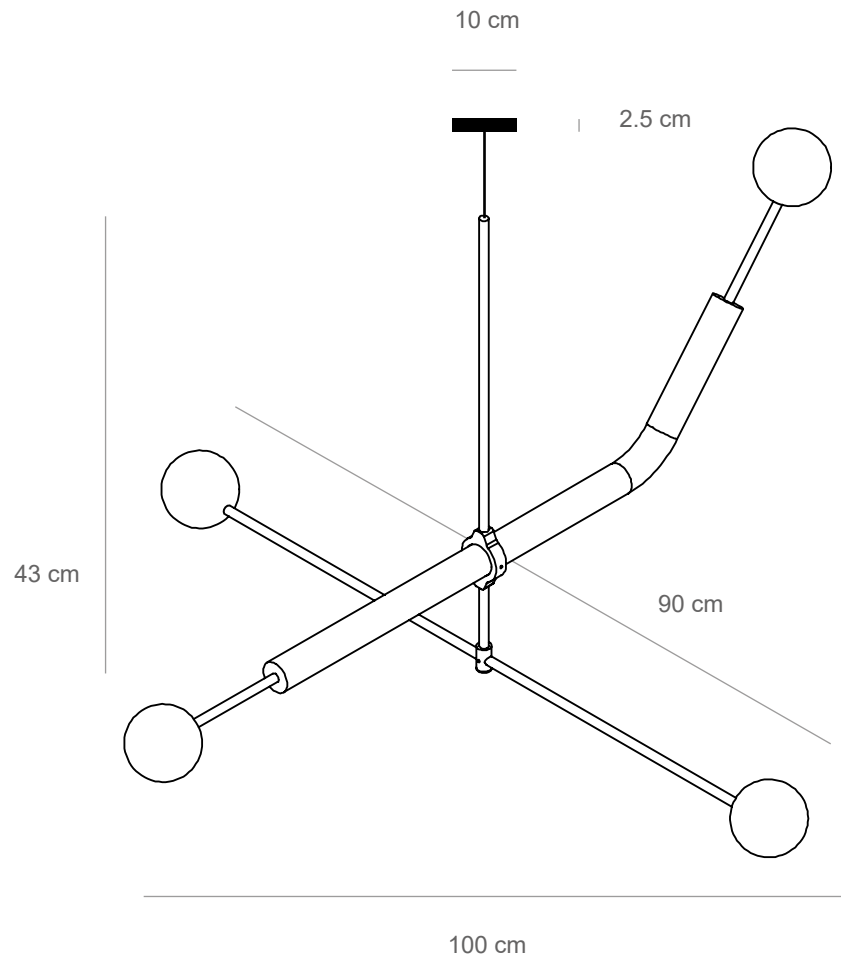
Pendant light object

Classically modern, this light object was designed as a multi-purpose light object. It easily complements any space without imposing itself.

Light Object

technical details

020.2



Materials: brass pipe, glass balls, LED light bulb
Light: G9 LED light bulb
Lumens: 1600

Color temperature: 2700K warm white

Dimensions: 100 cm x 90 cm x 43 cm (height to order)
Number of light balls: 4

Brass pipe diameter: 10 mm & 36 mm
Canopy diameter: 10 cm

Voltage: 110-240

Assembled by hand in Berlin studio from costume components.
Available finishes: polished brass, natural brass, saten brass, black, white
Customization available.
Made to order.

web:
www.naamahofman.com

instagram:
[@naamahofman](https://www.instagram.com/naamahofman)